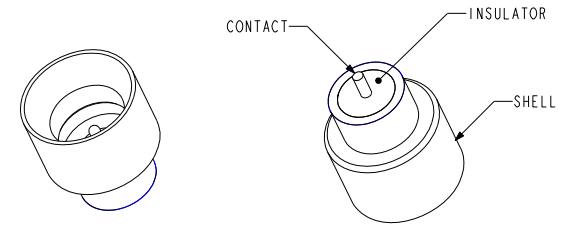
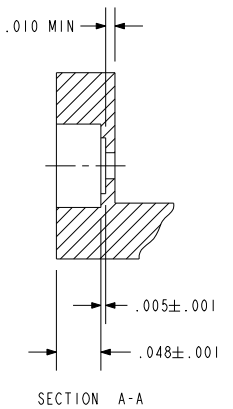
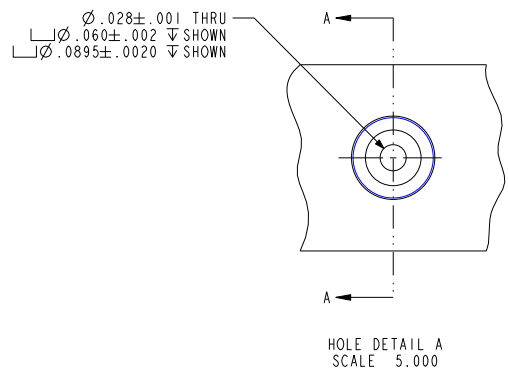
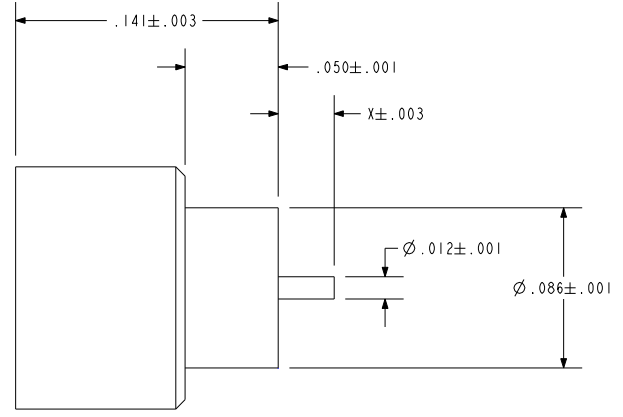
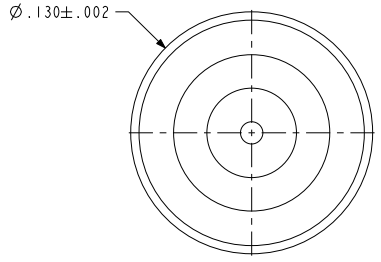
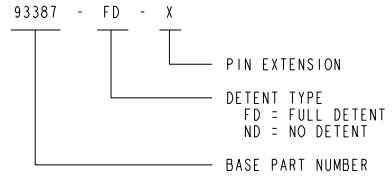



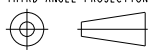
NOTES:

1. HERMETIC LEAK RATE: LESS THAN OR EQUAL TO  $1 \times 10^{-9}$  CC/SEC He AT 1 ATM DIFFERENTIAL PRESSURE.
2. NOMINAL IMPEDANCE: 50 OHMS.
3. DIELECTRIC WITHSTANDING VOLTAGE: 500VAC RMS MIN. @ SEA LEVEL.
4. INSULATION RESISTANCE: 5000 MEGOHMS MINIMUM.
5. DESIGNED TO BE SOLDERED INTO Ni/Fe/Co (KOVAR).
6. MATERIALS:  
SHELL: Ni/Fe/Co (KOVAR).  
CONTACT: KOVAR 1AW ASTM-F15 OR MIL-I-23011.  
INSULATOR: 7070 CORNING GLASS OR EQUIVALENT.
7. FINISH: PIN AND BODY  
NICKEL PLATE 1AW QQ-N-290, .000100/.000250 THICK.  
GOLD PLATE 1AW ASTM-B488, TYPE 1, GRADE A, .00005/.000150 THICK.
8. ORDERING INFORMATION:  
PLEASE SPECIFY ACCORDING TO THE FOLLOWING:



SCALE 5.000

RECOMMENDED HOLE DETAIL

 <b>PACIFIC AEROSPACE &amp; ELECTRONICS, INC.</b> 434 Olds Station Rd. Wenatchee, Washington 98801		WWW.PACAERO.COM THIRD ANGLE PROJECTION 	
TITLE:  CONNECTOR, SSMP		CAGE CODE: 64567	
VERSION: A.0		DOCUMENT: 0-93387	
RELEASE DATE: 05-08-07		SHEET: 1 OF 1	
<b>SALES DRAWING</b>		pro/ENGINEER	