

NOTES:

1. HERMETIC LEAK RATE:  $\leq 1 \times 10^{-9}$  CC/SEC He AT 1 ATM DIFFERENTIAL PRESSURE.
2. NOMINAL IMPEDENCE: 50 OHMS.
3. DIELECTRIC WITHSTANDING VOLTAGE: 500 VAC RMS MIN. @ SEA LEVEL.
4. INSULATION RESISTANCE: 5000 MEGOHMS MINIMUM.
5. DESIGNED TO BE LASER WELDED TO ALUMINUM ALLOY 6061 HOUSING.

6. MATERIALS:  
 WELD FLANGE: 4000 SERIES ALUMINUM  
 CONTACT: KOVAR 1AW ASTM-F15 OR MIL-I-23011.  
 INSULATOR: 7070 CORNING GLASS OR EQUIVALENT.  
 GROUND SPRING: S.ST. 1AW ASTM-A276 OR QQ-S-763.

7. FINISH: PIN AND BODY  
 NICKEL PLATE PER 1AW MIL-C-26074, .000100/.000250 THICK.  
 GOLD PLATE PER MIL-G-45204, TYPE III, GRADE A, .000050/.000150 THICK.

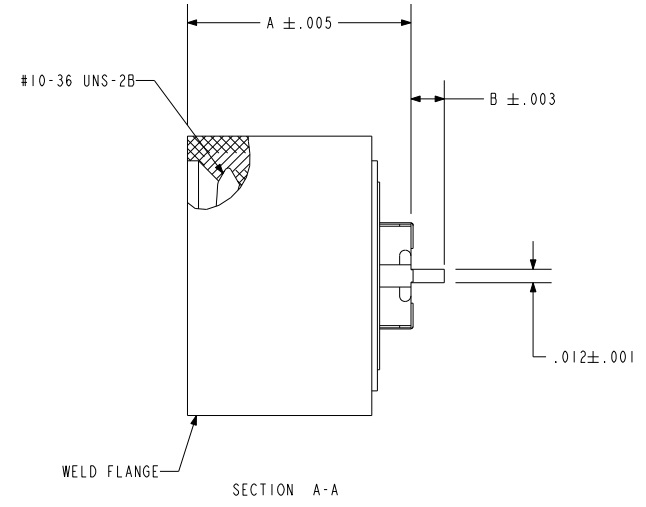
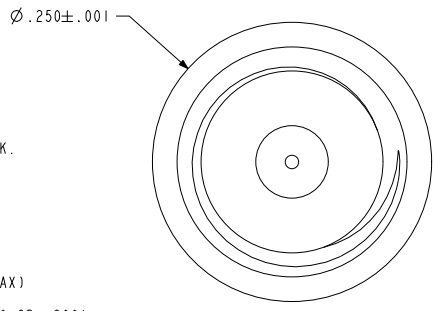
8. ORDERING INFORMATION:  
 PLEASE SELECT ACCORDING TO THE FOLLOWING:

EXAMPLE: 92763 - 200 - 030

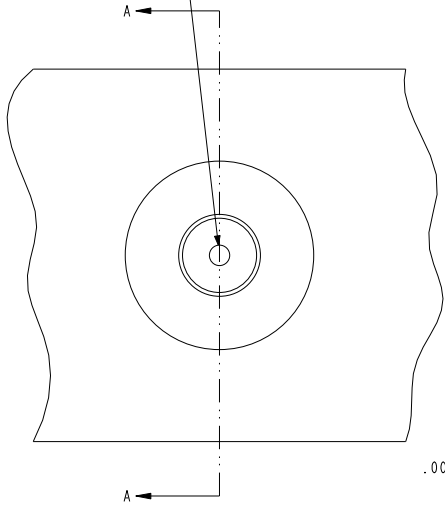
B = PIN EXTENSION  
(.020 MIN/.120 MAX)

A = BODY LENGTH (.190 OR .200)

BASE PART NUMBER



$\phi .0275 \pm .0010$  THRU  
 $\pm .0005$   $\nabla .200 \pm .002$   
 $\sqrt{\phi .110 \times 90^\circ \pm 5^\circ}$   
 $\phi .253 \pm .001$   $\nabla .175 \pm .003$



HOLE DETAIL  
 SCALE 4.000

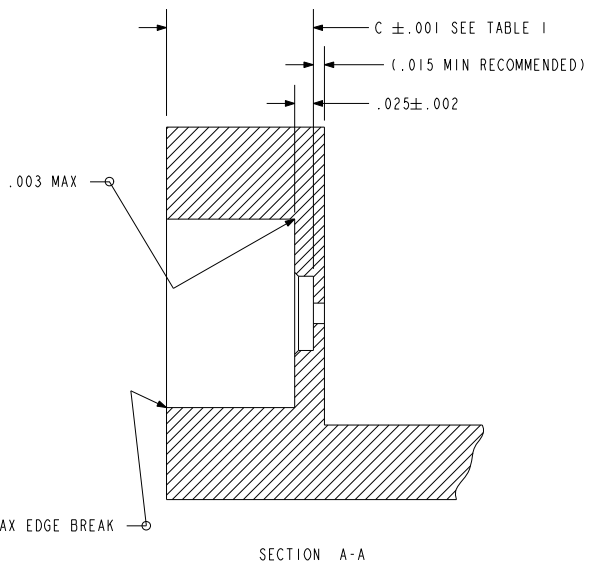
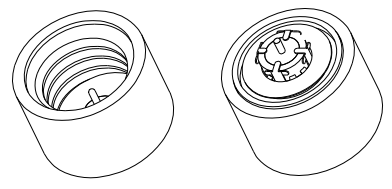


TABLE I	
PART NUMBER	C
92763-190-X	.187
92763-200-X	.197



SCALE 3.000

**PACIFIC AEROSPACE & ELECTRONICS, INC.**

434 Olds Station Rd. Wenatchee, Washington 98801

WWW.PACAERO.COM

TITLE:  
 ALUMINUM LASER WELDABLE .012 RF SSMA CONNECTOR

THIRD ANGLE PROJECTION

CAGE CODE: 64567

VERSION: C.0

RELEASE DATE: 10-26-07

**SALES DRAWING**

SHEET: 1 OF 1

DOCUMENT: 0-92763