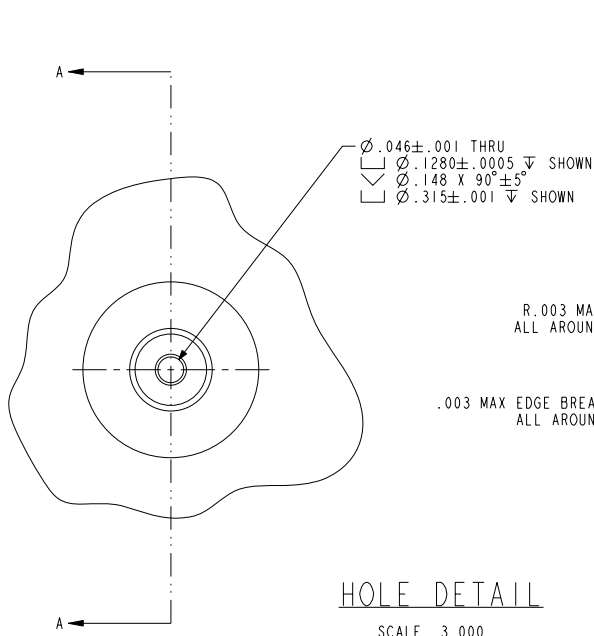
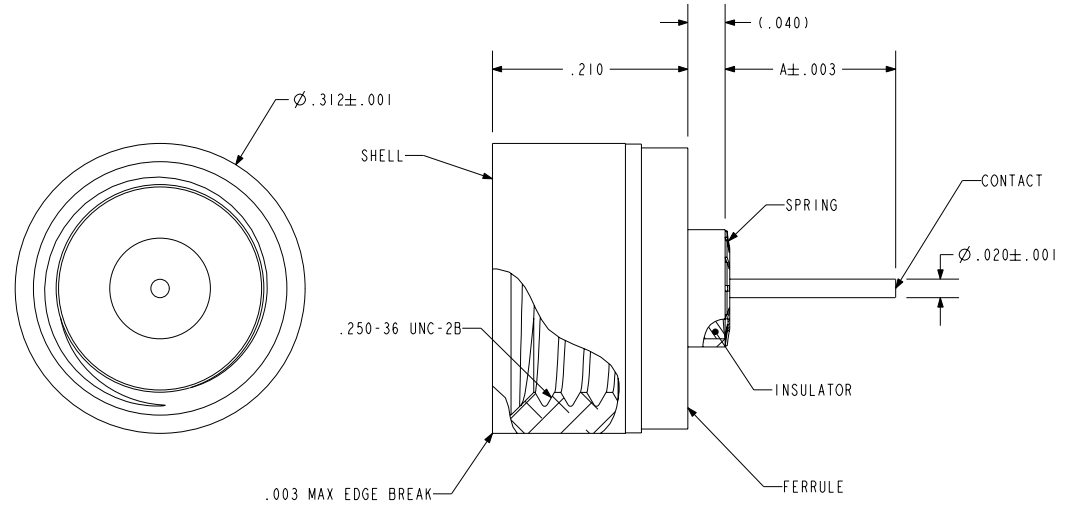


NOTES:

1. HERMETIC LEAK RATE: LESS THAN OR EQUAL TO 1×10^{-9} CC/SEC He AT 1 ATM DIFFERENTIAL PRESSURE.
2. NOMINAL IMPEDANCE: 50 OHMS.
3. INSULATION RESISTANCE: 5000 MEGOHMS MINIMUM.
4. DESIGNED TO BE LASER WELDED TO ALUMINUM HOUSINGS.
5. MATERIALS:
SHELL: EXPLOSION BONDED 4000 SERIES ALUMINUM TO 300 SERIES STAINLESS STEEL.
CONTACT: KOVAR IAW ASTM-F15 OR MIL-I-23011.
INSULATOR: 7070 CORNING GLASS OR EQUIVALENT.
GROUND SPRING: BeCu 173/174 IAW ASTM-B194, TD04.
6. FINISH: CONTACT, FERRULE AND GROUND SPRING:
NICKEL PLATE IAW ASTM B733, TYPE I, CLASS I, OR EQUIVALENT, .000100/.000250 THICK.
GOLD PLATE IAW ASTM B488, TYPE III, CODE A, OR EQUIVALENT, .000050/.000150 THICK.
7. GROUND SPRING SHIPPED LOOSE AND UNATTACHED.
8. ORDERING INFORMATION:
PLEASE SPECIFY ACCORDING TO THE FOLLOWING:

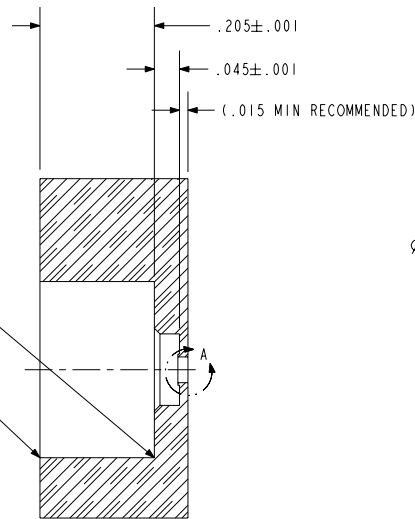
EXAMPLE: 94122 - 045

A = PIN EXTENSION (.020 MIN/.250 MAX)
 _____ BASE PART NUMBER

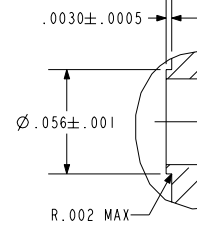


HOLE DETAIL

SCALE 3.000



SECTION A-A



DETAIL A
SCALE 10.000



SCALE 1.000

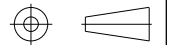


PACIFIC AEROSPACE & ELECTRONICS, INC.

434 Olds Station Rd. Wenatchee, Washington 98801

WWW.PACAERO.COM

THIRD ANGLE PROJECTION



CAGE CODE: 64567

TITLE:
CONNECTOR, SMA, HIGH PERFORMANCE, ALUMINUM COMPATIBLE (DIA .020 PIN)

VERSION: -.0
 RELEASE DATE: 02-22-07

SALES DRAWING

SHEET: 1 OF 1

DOCUMENT: 0-94122