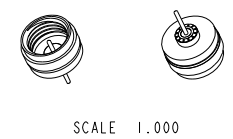
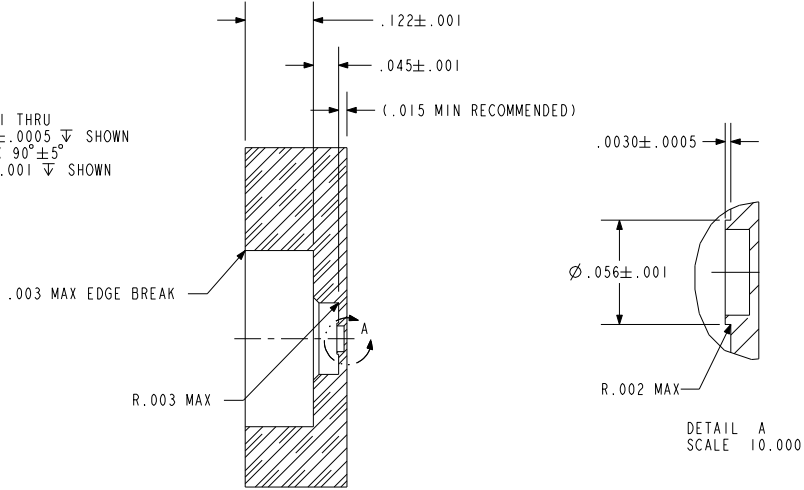
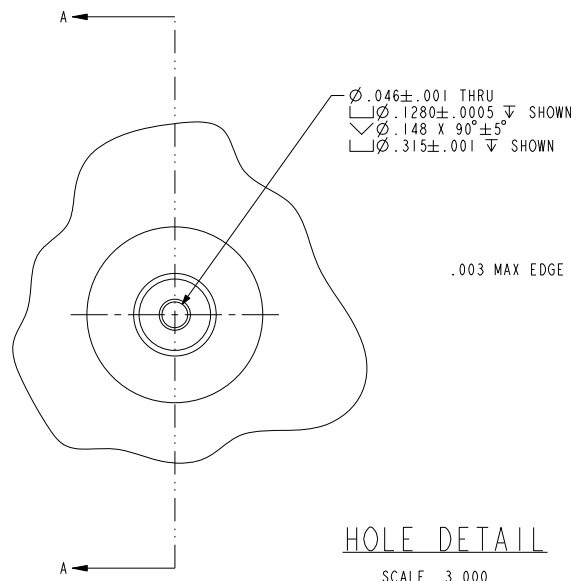
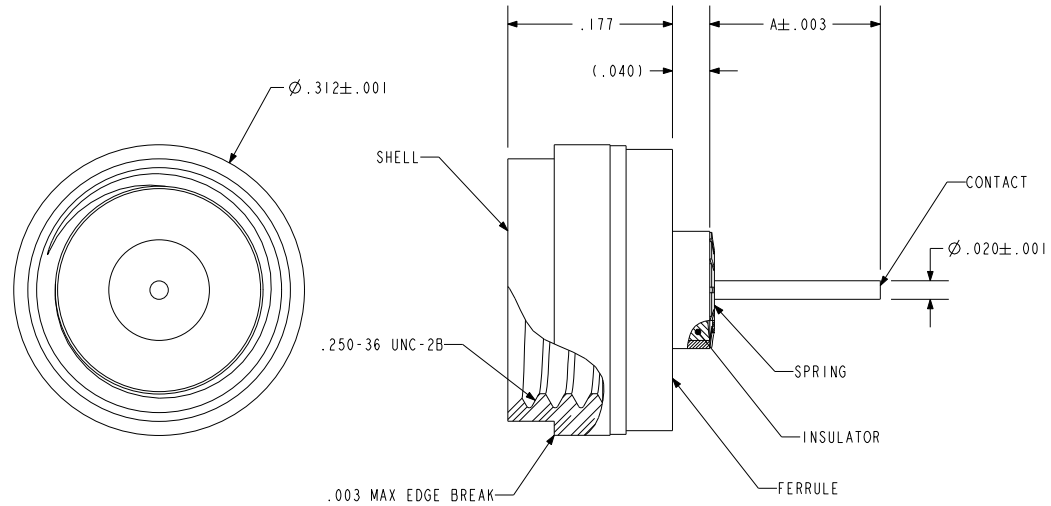



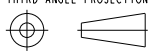
NOTES:

1. HERMETIC LEAK RATE: LESS THAN OR EQUAL TO 1×10^{-9} CC/SEC He AT 1 ATM DIFFERENTIAL PRESSURE.
2. NOMINAL IMPEDANCE: 50 OHMS.
3. INSULATION RESISTANCE: 5000 MEGOHMS MINIMUM.
4. DESIGNED TO BE LASER WELDED TO TITANIUM HOUSINGS.
5. MATERIALS:
SHELL: EXPLOSION BONDED TITANIUM TO 300 SERIES STAINLESS STEEL.
CONTACT: KOVAR IAW ASTM-F15 OR MIL-I-23011.
INSULATOR: 7070 CORNING GLASS OR EQUIVALENT.
GROUND SPRING: BeCu 173/174 IAW ASTM-B194, TD04.
6. FINISH: CONTACT, FERRULE AND GROUND SPRING:
NICKEL PLATE IAW ASTM B733, TYPE I, CLASS I, OR EQUIVALENT, .000100/.000250 THICK.
GOLD PLATE IAW ASTM B488, TYPE III, CODE A, OR EQUIVALENT, .000050/.000150 THICK.
7. GROUND SPRING SHIPPED LOOSE AND UNATTACHED.
8. ORDERING INFORMATION:
PLEASE SPECIFY ACCORDING TO THE FOLLOWING:

EXAMPLE: 93853 - 045

└── A = PIN EXTENSION (.020 MIN/.250 MAX)
└── BASE PART NUMBER



 PACIFIC AEROSPACE & ELECTRONICS, INC. 434 Olds Station Rd. Wenatchee, Washington 98801		WWW.PACAERO.COM THIRD ANGLE PROJECTION	
TITLE:			
CONNECTOR, SMA, HIGH PERFORMANCE, TI COMPATIBLE (DIA .020 PIN)		CAGE CODE: 64567	
SALES DRAWING		DOCUMENT: 0-93853	
VERSION: A.0	RELEASE DATE: 09-07-05	SHEET: 1 OF 1	pro/ENGINEER