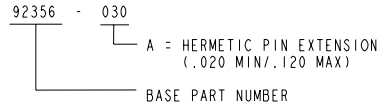
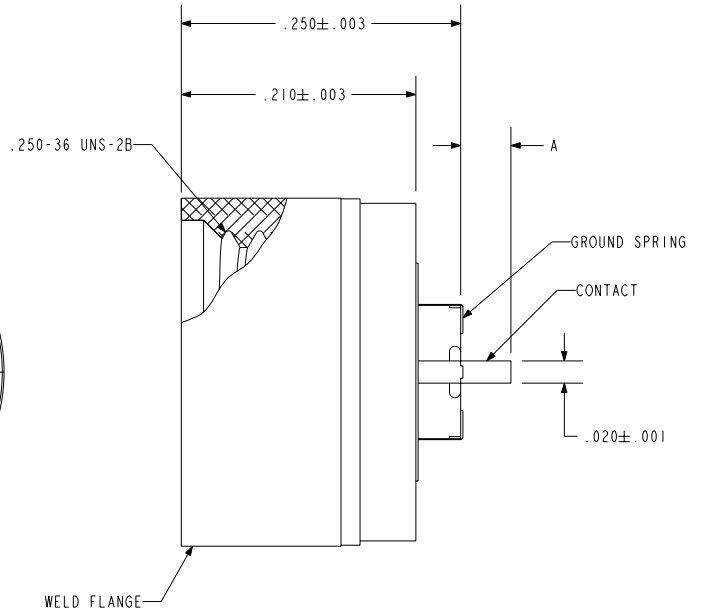
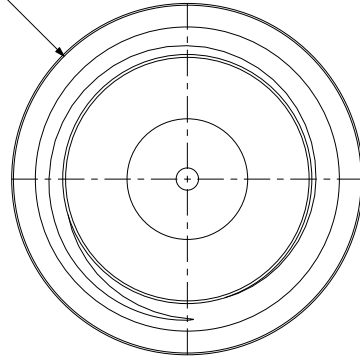


NOTES:

- HERMETIC LEAK RATE: LESS THAN OR EQUAL TO  $1 \times 10^{-9}$  CC/SEC He AT 1 ATM DIFFERENTIAL PRESSURE.
- NOMINAL IMPEDANCE: 50 OHMS.
- DIELECTRIC WITHSTANDING VOLTAGE: 500VAC RMS MIN. @ SEA LEVEL.
- INSULATION RESISTANCE: 5000 MEGOHMS MINIMUM.
- DESIGNED TO BE LASER WELDED TO ALUMINUM ALLOY 6061 HOUSING
- MATERIALS:  
WELD FLANGE: 4000 SERIES ALUMINUM  
CONTACT: KOVAR IAW ASTM-F15 OR MIL-I-23011.  
INSULATOR: 7070 CORNING GLASS OR EQUIVALENT.  
GROUND SPRING: IAW ASTM-A276 OR QQ-S-763.
- FINISH: PIN AND BODY  
NICKEL PLATE IAW MIL-C-26074, TYPE 4, .000100/.000200 THICK.  
GOLD PLATE IAW MIL-G-45204, TYPE III, GRADE A, .000050/.000150 THICK.
- ORDERING INFORMATION:  
PLEASE SPECIFY ACCORDING TO THE FOLLOWING:

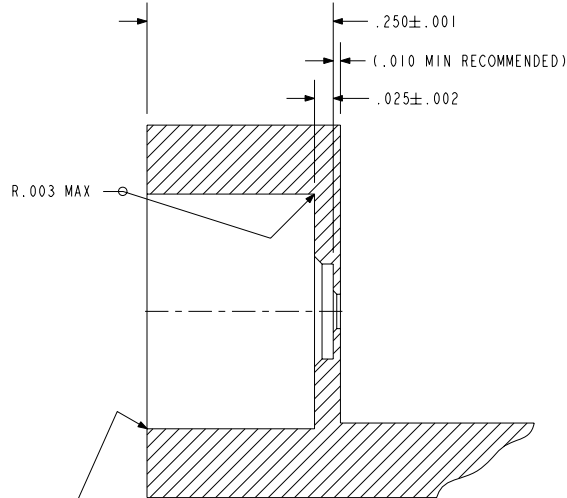
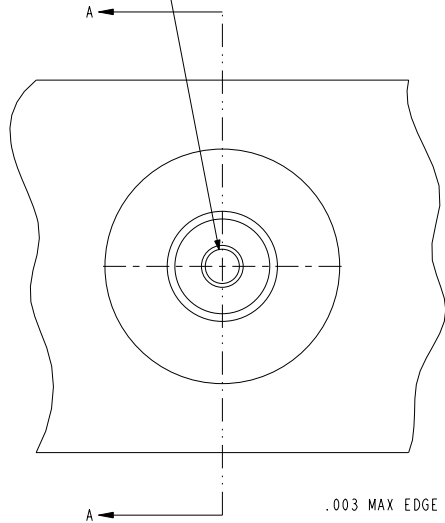


$\phi .3115^{+.0009}_{-.0005}$



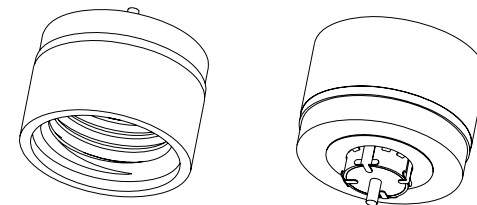
SECTION A-A

$\phi .046 \pm .001$  THRU  
 $\phi .056 \times 90^\circ \pm 5^\circ$   
 $\phi .1275 \pm .0005 \nabla .250 \pm .002$   
 $\phi .148 \times 90^\circ \pm 5^\circ$   
 $\phi .315 \pm .001 \nabla .225 \pm .003$



SECTION A-A

HOLE DETAIL B  
(WITH AIR DIELECTRIC)  
SCALE 4.000



SCALE 3.000

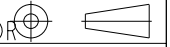
.003 MAX EDGE BREAK

**PACIFIC AEROSPACE & ELECTRONICS, INC.**  
 434 Olds Station Rd. Wenatchee, Washington 98801

WWW.PACAERO.COM

TITLE: ALUMINUM LASER WELDABLE .020 FLANGE MOUNT RF CONNECTOR

THIRD ANGLE PROJECTION



CAGE CODE: 64567

VERSION: 06-15-05  
 RELEASE DATE:

SALES DRAWING

SHEET: 1 OF 1

DOCUMENT: 0-92356