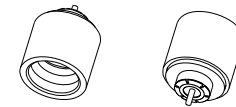
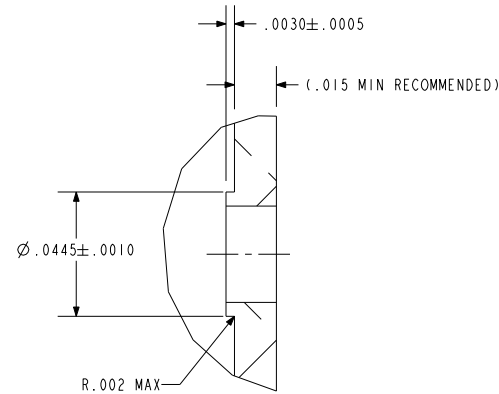
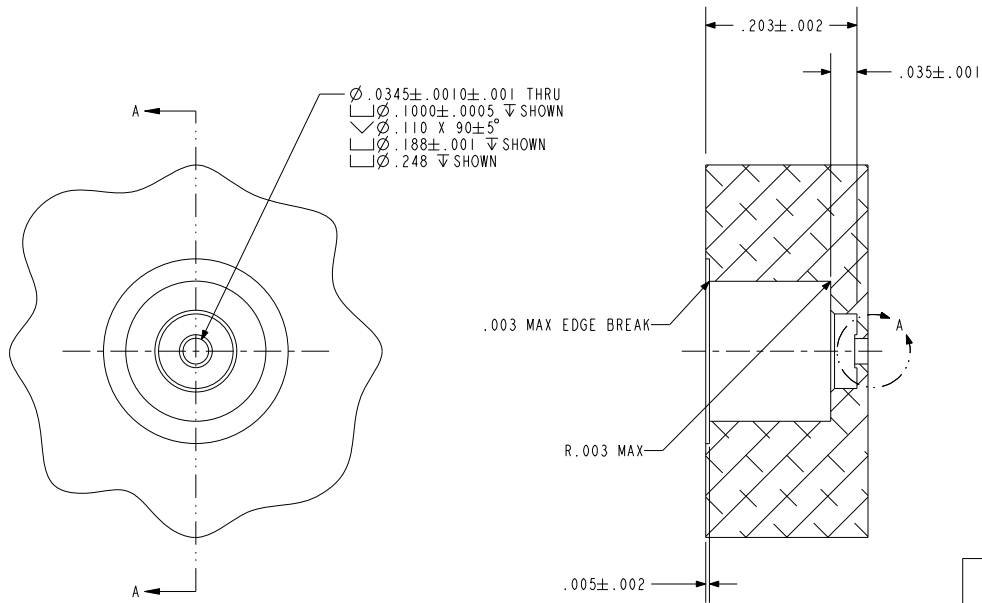
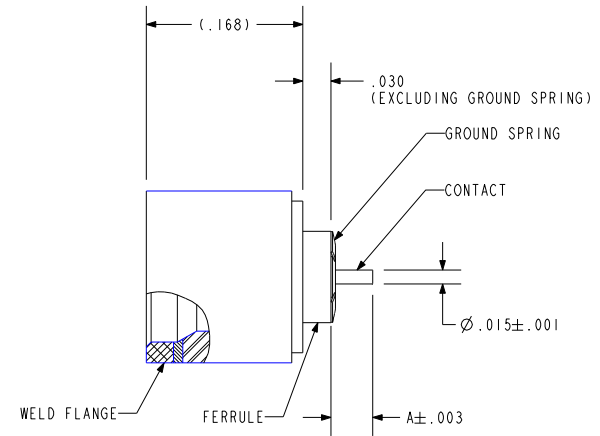
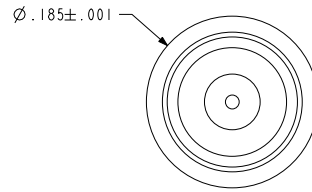
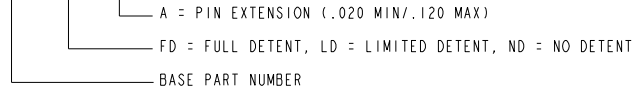


NOTES:

- HERMETIC LEAK RATE: LESS THAN OR EQUAL TO  $1 \times 10^{-9}$  CC/SEC He AT 1 ATM DIFFERENTIAL PRESSURE.
- NOMINAL IMPEDANCE: 50 OHMS.
- INSULATION RESISTANCE: 5000 MEGOHMS MINIMUM.
- DESIGNED TO BE LASER WELDED TO ALUMINUM ALLOY 6061 HOUSINGS.
- MATERIALS:  
 WELD FLANGE: 4000 SERIES ALUMINUM  
 CONTACT: KOVAR IAW ASTM-F15 OR EQUIVALENT.  
 INSULATOR: 7070 CORNING GLASS OR EQUIVALENT.  
 GROUND SPRING: BeCu 173/174 IAW ASTM-B194, TD04.
- FINISH: CONTACT, BODY AND GROUND SPRING:  
 NICKEL PLATE IAW ASTM B733, TYPE 1, CLASS 1, OR EQUIVALENT, .000100/.000250 THICK.  
 GOLD PLATE IAW ASTM B488, TYPE III, CODE A, OR EQUIVALENT, .000050/.000150 THICK.  
 WELD FLANGE: CONVERSION COATED IAW MIL-C-5541, CL 1A
- GROUND SPRING SHIPPED LOOSE AND UNATTACHED.
- ORDERING INFORMATION:  
 PLEASE SPECIFY ACCORDING TO THE FOLLOWING:

EXAMPLE: 93829 - FD - 045



SCALE 2.000

**PACIFIC AEROSPACE & ELECTRONICS, INC.**  
 434 Olds Station Rd. Wenatchee, Washington 98801

TITLE:  
 CONNECTOR, RF, LASER WELDABLE PUSH-ON (LWP), HIGH PERFORMANCE,  
 ALUMINUM COMPATIBLE

WWW.PACAERO.COM

THIRD ANGLE PROJECTION



CAGE CODE: 64567

VERSION: A.1  
 RELEASE DATE: 01-23-07

SALES DRAWING

SHEET: 1 OF 1

DOCUMENT: 0-93829