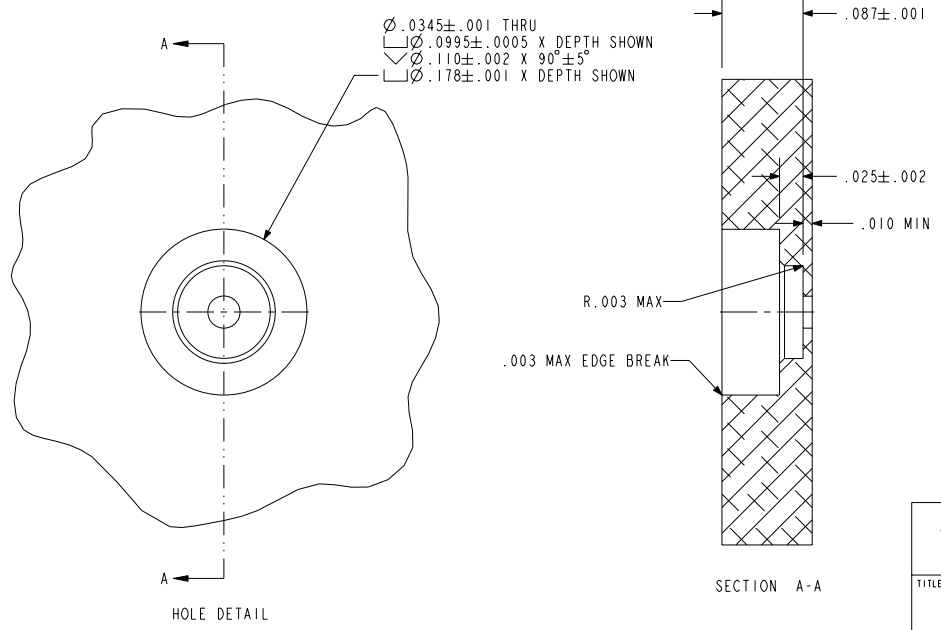
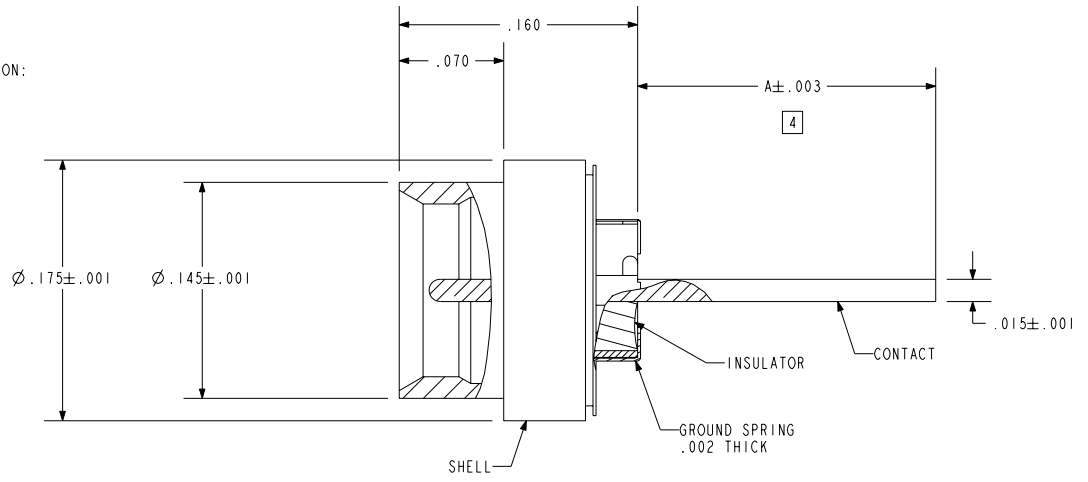


- NOTES:
- HERMETIC LEAK RATE: $\leq 1 \times 10^{-9}$ CC/SEC He @ 1 ATM DIFFERENTIAL PRESSURE.
 - GLASS SEAL AND PIN SHEARED END SHALL CONFORM TO MIL-STD-883, METHOD 2009.
 - IMPEDANCE: 50 OHMS NOMINAL.
 - CUT PIN TO DIMENSION A AS INDICATED BY PART NUMBER.
 - FINISH REQUIREMENTS (PIN AND BODY):
 Ni PLATE IAW ASTM B733, TYPE I, CLASS 4, .000100/.000250 THK.
 Au PLATE IAW ASTM B488, TYPE III, CODE A, .000075/.000150 THK.

6. ORDERING INFORMATION:
 PART NUMBER IS DEFINED BY BASE NUMBER, DETENT TYPE AND HERMETIC PIN EXTENSION:

EXAMPLE 93301-FD-154

- A = .154
- DETENT TYPE (FULL=FD, LIMITED=LD, NONE=ND)
- BASE PART NUMBER



PACIFIC AEROSPACE & ELECTRONICS, INC.
 434 Olds Station Rd. Wenatchee, Washington 98801
 WWW.PACAERO.COM

TITLE: CONNECTOR, LWP, FLANGED, TITANIUM COMPATIBLE

THIRD ANGLE PROJECTION

CAGE CODE: 64567

DOCUMENT: 0-93301

VERSION: RELEASE DATE: 05-07-03

SALES DRAWING

SHEET: 1 OF 1

pro/ENGINEER