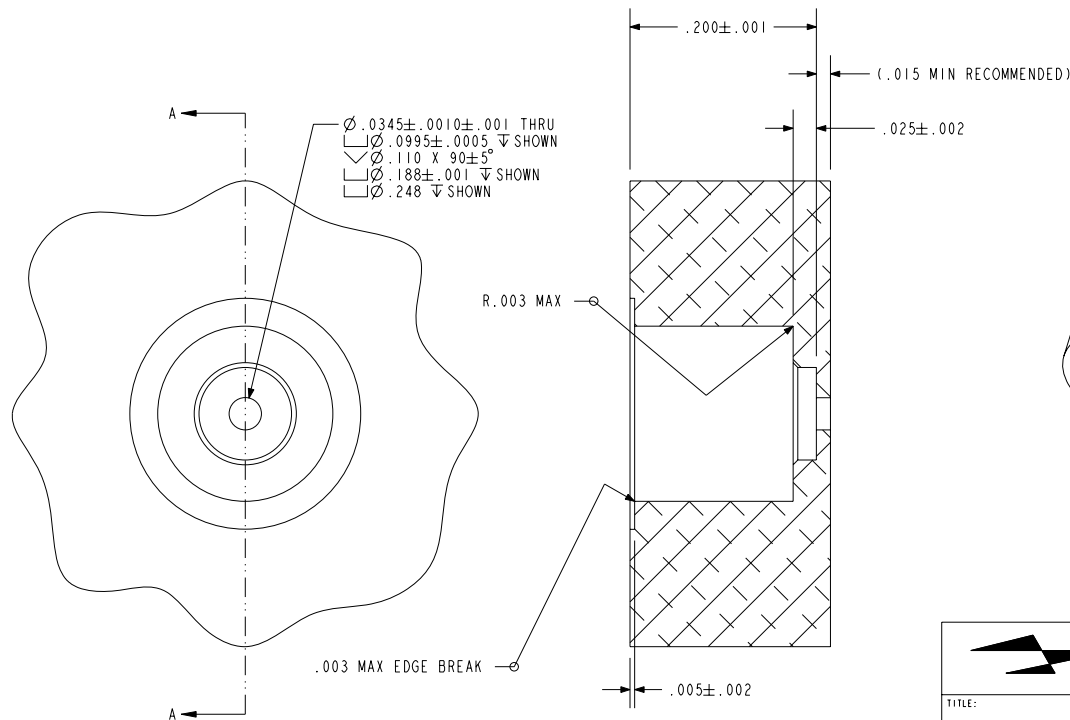
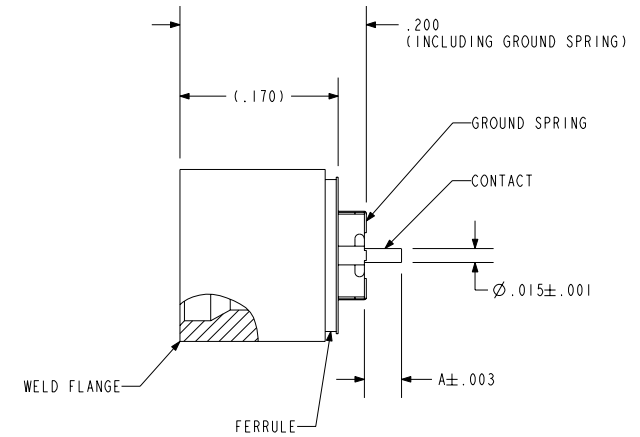
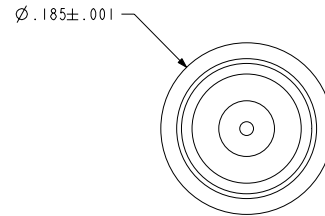
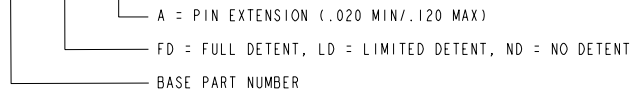



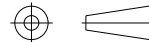
NOTES:

1. HERMETIC LEAK RATE: LESS THAN OR EQUAL TO 1×10^{-9} CC/SEC He AT 1 ATM DIFFERENTIAL PRESSURE.
2. NOMINAL IMPEDANCE: 50 OHMS.
3. INSULATION RESISTANCE: 5000 MEGOHMS MINIMUM.
4. DESIGNED TO BE LASER WELDED TO ALUMINUM ALLOY 6061 HOUSINGS.
5. MATERIALS:
 WELD FLANGE: 4000 SERIES ALUMINUM
 CONTACT: KOVAR 1AW ASTM-F15 OR MIL-I-23011.
 INSULATOR: 7070 CORNING GLASS OR EQUIVALENT.
 GROUND SPRING: S.S.T. 1AW ASTM-A276 OR QQ-S-763.
6. FINISH:
 NICKEL PLATE 1AW MIL-C-26074, TYPE 4 .000100/.000250 THICK.
 GOLD PLATE 1AW MIL-G-45204, TYPE III, GRADE A, .000050/.000150 THICK.
 WELD FLANGE: CONVERSION COATED 1AW MIL-C-5541, CL 1A

7. ORDERING INFORMATION:
 PLEASE SPECIFY ACCORDING TO THE FOLLOWING:

EXAMPLE: 93999 - FD - 045



 PACIFIC AEROSPACE & ELECTRONICS, INC. 434 Olds Station Rd. Wenatchee, Washington 98801 WWW.PACAERO.COM		
TITLE: ALUMINUM LASER WELDABLE PUSH-ON (LWP) RF CONNECTOR		THIRD ANGLE PROJECTION 
RELEASE DATE: 01-23-06	THE INFORMATION HEREIN CONTAINS PROPRIETARY RIGHTS OF PACIFIC AEROSPACE & ELECTRONICS AND SHALL NOT BE USED, REPRODUCED, OR DISCLOSED TO THIRD PARTIES FOR ANY PURPOSE EXCEPT AS SPECIFICALLY AUTHORIZED IN WRITING BY PACIFIC AEROSPACE & ELECTRONICS	CAGE CODE: 64567
	SHEET: 1 OF 1	DOCUMENT: 0-93999