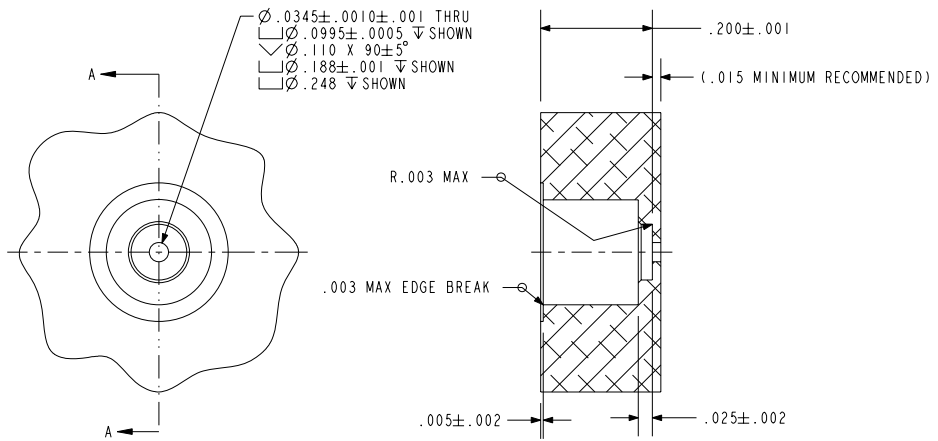
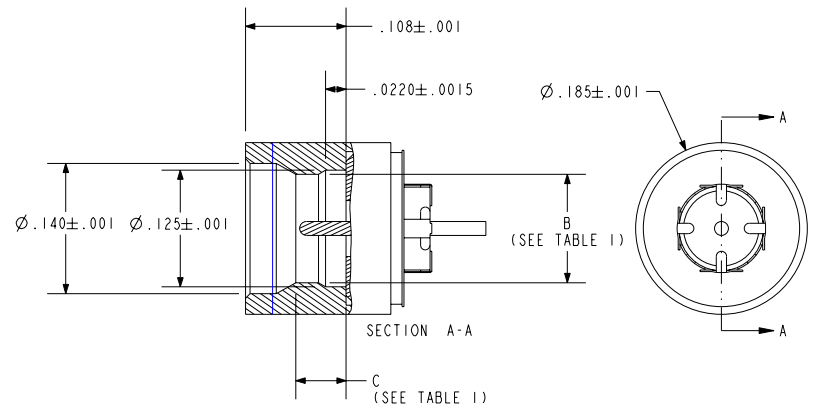
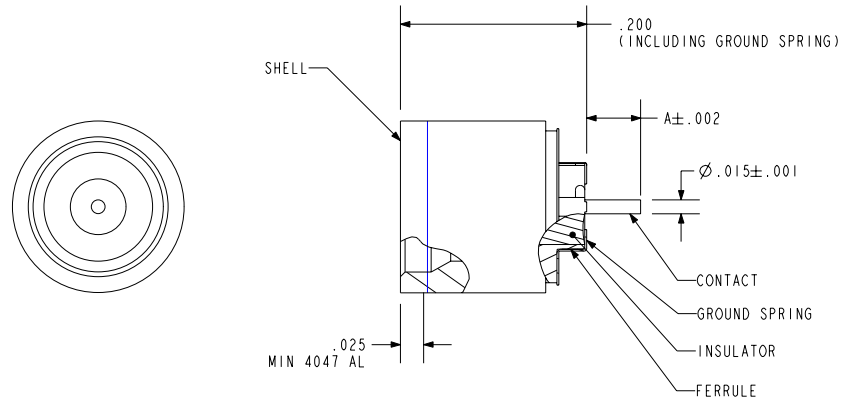


NOTES:

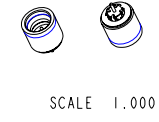
- HERMETIC LEAK RATE: LESS THAN OR EQUAL TO 1×10^{-9} CC/SEC He AT 1 ATM DIFFERENTIAL PRESSURE.
- NOMINAL IMPEDANCE: 50 OHMS.
- INSULATION RESISTANCE: 5000 MEGOHMS MINIMUM.
- DESIGNED TO BE LASER WELDED TO ALUMINUM ALLOY 6061 HOUSINGS.
- MATERIALS:
SHELL: EXPLOSION BONDED 4000 SERIES ALUMINUM TO 304L S. ST.
CONTACT: KOVAR IAW ASTM-F15 OR MIL-I-23011.
FERRULE: KOVAR IAW ASTM-F15 OR MIL-I-23011.
INSULATOR: 7070 CORNING GLASS OR EQUIVALENT.
GROUND SPRING: S.ST. IAW ASTM-A276 OR QQ-S-763.
- FINISH:
PIN
NICKEL PLATE IAW QQ-N-290 .000100/.000250 THICK.
GOLD PLATE IAW ASTM-B-488, TYPE III, CODE A, .000100/.000150 THICK.
FERRULE
NICKEL PLATE IAW QQ-N-290 .000100/.000250 THICK.
GOLD PLATE IAW ASTM-B-488, TYPE III, CODE A, .000100/.000150 THICK.
SHELL (-PL ONLY)
NICKEL PLATE IAW QQ-N-290 .000100/.000250 THICK.
GOLD PLATE IAW ASTM-B-488, TYPE III, CODE A, .000050/.000100 THICK.
NO PLATING ON ALUMINUM LASER WELD SURFACES
- ORDERING INFORMATION:
PLEASE SPECIFY ACCORDING TO THE FOLLOWING:

EXAMPLE: 93734 - FD - 045 - PL

- PL = PLATED SHELL (BLANK IS A NON-PLATED SHELL)
- A = PIN EXTENSION (.020 MIN/.120 MAX)
- FD = FULL DETENT, LD = LIMITED DETENT, ND = NO DETENT
- BASE PART NUMBER



DETENT TYPE	DIMENSION B	DIMENSION C
FULL DETENT	.116	.054
LIMITED DETENT	.120	.057
NO DETENT	.125	.062



PACIFIC AEROSPACE & ELECTRONICS, INC.
434 Olds Station Rd. Wenatchee, Washington 98801

WWW.PACAERO.COM

TITLE: CONNECTOR, LWP (.015 DIA. PIN), ALUMINUM COMPATIBLE

THIRD ANGLE PROJECTION

CAGE CODE: 64567

DOCUMENT: 0-93734

SALES DRAWING

SHEET: 1 OF 1

VERSION: 06-16-05

RELEASE DATE: 06-16-05

pro/ENGINEER