

NOTES:

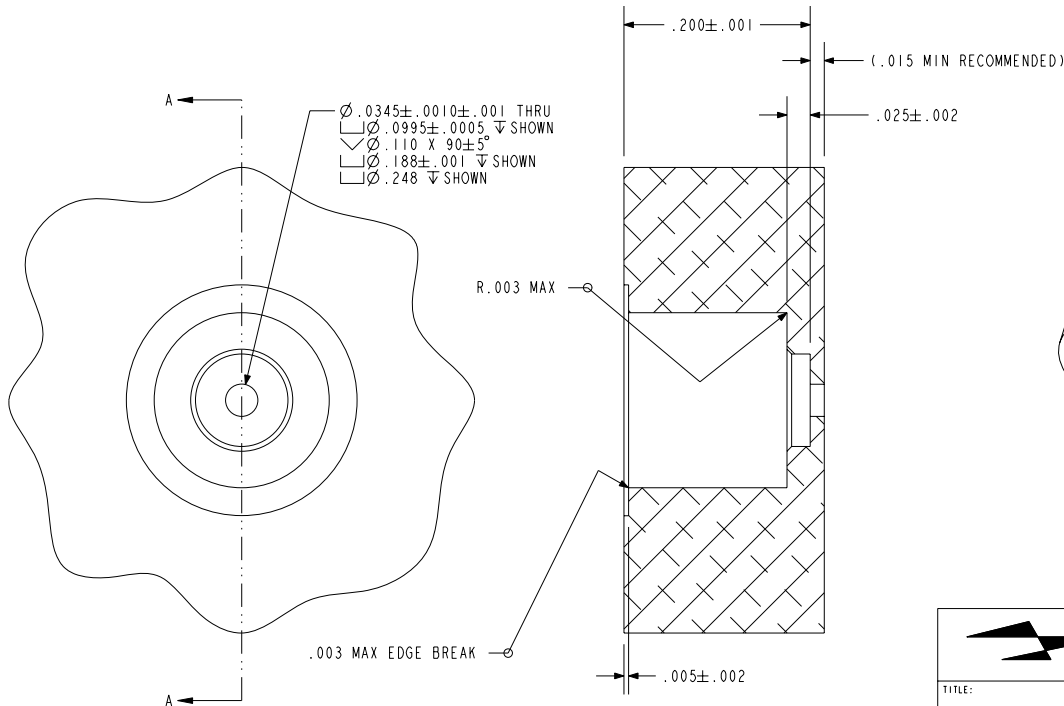
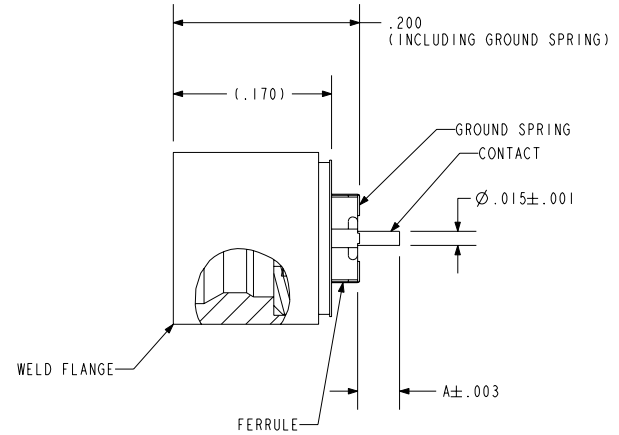
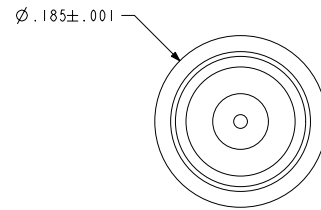
1. HERMETIC LEAK RATE: LESS THAN OR EQUAL TO  $1 \times 10^{-9}$  CC/SEC  $H_e$  AT 1 ATM DIFFERENTIAL PRESSURE.
2. NOMINAL IMPEDANCE: 50 OHMS.
3. INSULATION RESISTANCE: 5000 MEGOHMS MINIMUM.
4. DESIGNED TO BE LASER WELDED TO ALUMINUM ALLOY 6061 HOUSINGS.
5. MATERIALS:  
 WELD FLANGE: 4000 SERIES ALUMINUM  
 CONTACT: KOVAR 1AW ASTM-F15 OR MIL-I-23011.  
 INSULATOR: 7070 CORNING GLASS OR EQUIVALENT.  
 GROUND SPRING: S.S.T. 1AW ASTM-A276 OR Q0-S-763.
6. FINISH:  
 NICKEL PLATE 1AW MIL-C-26074, TYPE 4 .000100/.000250 THICK.  
 GOLD PLATE 1AW MIL-G-45204, TYPE III, GRADE A, .000050/.000150 THICK.  
 WELD FLANGE: CONVERSION COATED 1AW MIL-C-5541, CL 1A
7. ORDERING INFORMATION:  
 PLEASE SPECIFY ACCORDING TO THE FOLLOWING:

EXAMPLE: 92666 - FD - 045

A = PIN EXTENSION (.020 MIN/.120 MAX)

FD = FULL DETENT, LD = LIMITED DETENT, ND = NO DETENT

BASE PART NUMBER



HOLE DETAIL

SECTION A-A



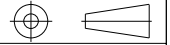
SCALE 5.000

**PACIFIC AEROSPACE & ELECTRONICS, INC.**  
 434 Olds Station Rd. Wenatchee, Washington 98801

WWW.PACAERO.COM

TITLE: ALUMINUM LASER WELDABLE PUSH-ON (LWP) RF CONNECTOR

THIRD ANGLE PROJECTION



CAGE CODE: 64567

VERSION: \_\_\_\_\_  
 RELEASE DATE: 06-02-05

SALES DRAWING

SHEET: 1 OF 1

DOCUMENT: 0-92666