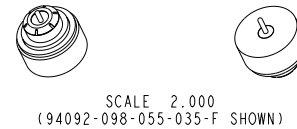
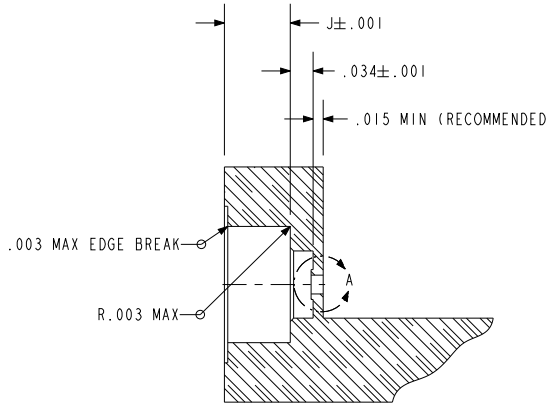
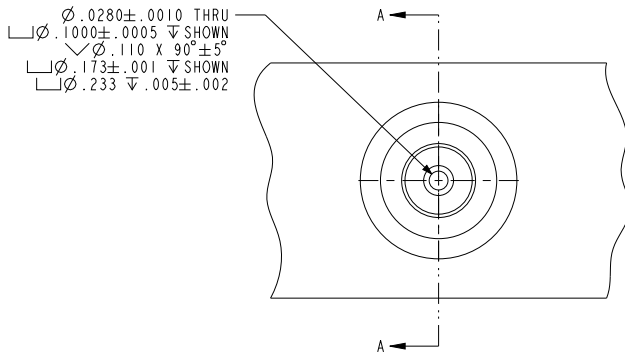
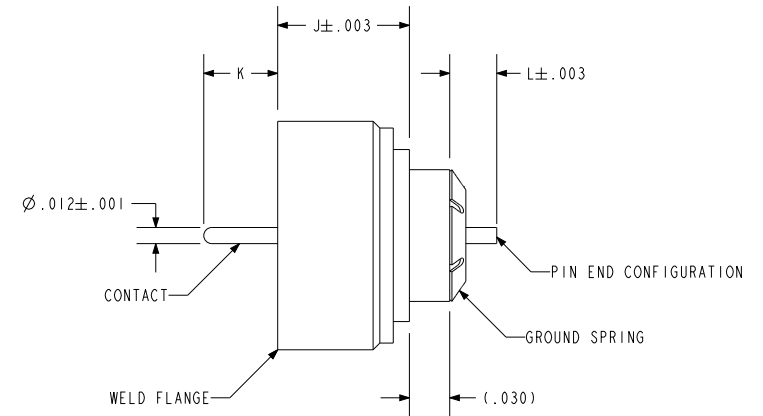
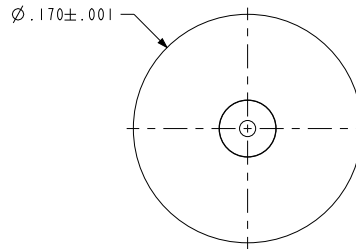


NOTES:

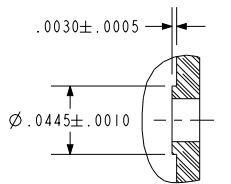
1. INTERFACE PER MIL-STD-348.
2. HERMETIC LEAK RATE: LESS THAN OR EQUAL TO  $1 \times 10^{-9}$  CC/SEC  $H_2$  AT 1 ATM DIFFERENTIAL PRESSURE.
3. NOMINAL IMPEDANCE: 50 OHMS.
4. INSULATION RESISTANCE: 5000 MEGOHMS MINIMUM.
5. DESIGNED TO BE LASER WELDED INTO TITANIUM HOUSINGS.
6. MATERIALS:  
 WELD FLANGE: TITANIUM.  
 CONTACT: KOVAR 1AW ASTM-F15 OR EQUIVALENT.  
 INSULATOR: 7070 CORNING GLASS OR EQUIVALENT.  
 GROUND SPRING: BeCu-172/173 1AW ASTM-B194, TD04.
7. FINISH:  
 NICKEL PLATE 1AW ASTM B733, TYPE I, CLASS 4, .000100/.000250 THICK.  
 GOLD PLATE 1AW ASTM B488, TYPE III, CODE A, .000050/.000150 THICK.
8. ORDERING INFORMATION:  
 PLEASE SPECIFY ACCORDING TO THE FOLLOWING:  
 94092 - 098 - 055 - 035 - F

PIN END CONFIGURATION  
 F = FLAT  
 R = ROUND  
 L = HERMETIC PIN EXTENSION (.035 MIN)  
 K = AMBIENT PIN EXTENSION  
 J = BODY LENGTH (.098/.113)  
 BASE PART NUMBER



HOLE DETAIL

SCALE 3.500



DETAIL A  
SCALE 8.000



**PACIFIC AEROSPACE & ELECTRONICS, INC.**

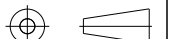
434 Olds Station Rd. Wenatchee, Washington 98801

WWW.PACAERO.COM

TITLE:

CONNECTOR, RF, FLANGE MOUNT, TI-COMPATIBLE

THIRD ANGLE PROJECTION



CAGE CODE: 64567

VERSION: .1

RELEASE DATE: 01-06-11

**SALES DRAWING**

SHEET: 1 OF 1

DOCUMENT: 0-94092