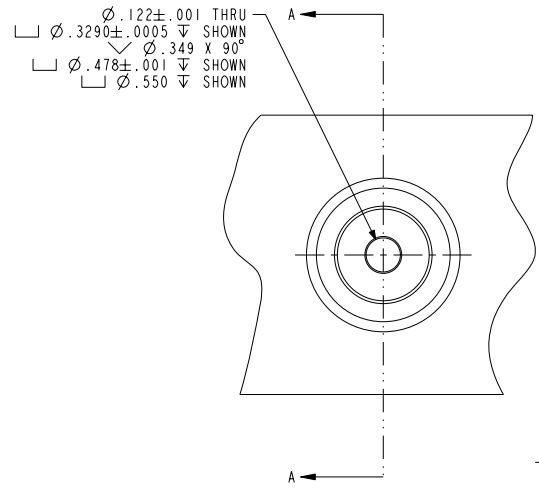
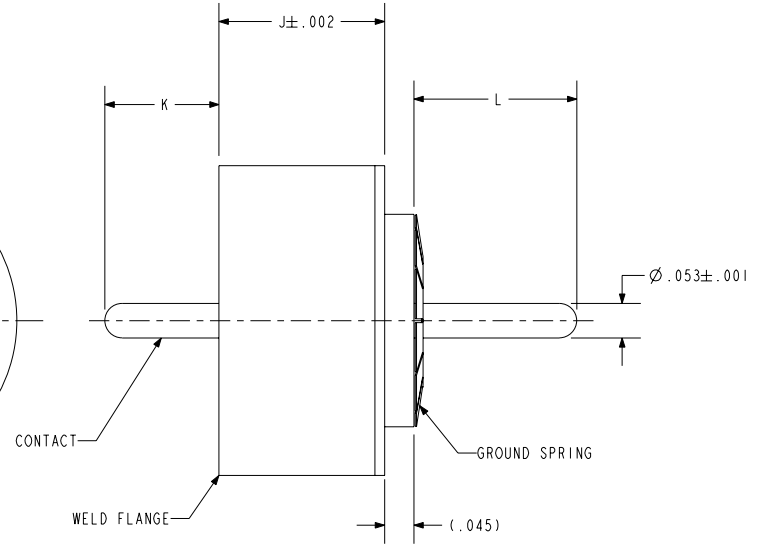
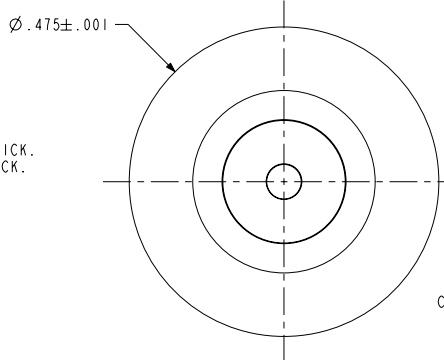
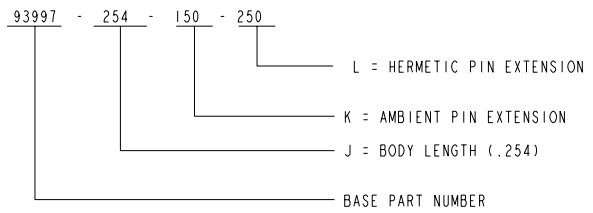
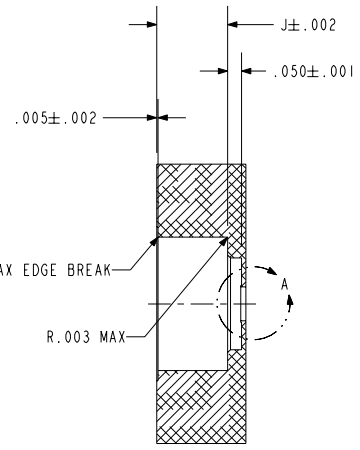


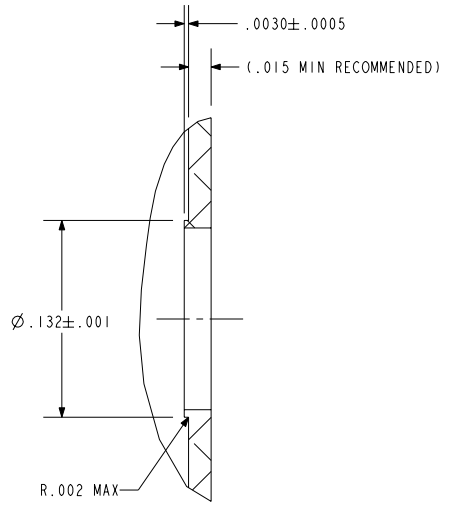
NOTES:
 1. HERMETIC LEAK RATE: LESS THAN OR EQUAL TO 1×10^{-9} CC/SEC He AT 1 ATM DIFFERENTIAL PRESSURE.
 2. NOMINAL IMPEDANCE: 50 OHMS.
 3. INSULATION RESISTANCE: 5000 MEGOHMS MINIMUM.
 4. DESIGNED TO BE LASER WELDED INTO ALUMINUM 6061 HOUSINGS.
 5. MATERIALS:
 WELD FLANGE: 4000 SERIES ALUMINUM.
 CONTACT: KOVAR IAW ASTM-F15 OR EQUIVALENT.
 INSULATOR: 7070 CORNING GLASS OR EQUIVALENT.
 INSULATOR INSERT: TEFLON.
 GROUND SPRING: BeCu-172/173 IAW ASTM-B194, TD04.
 6. FINISH: (PIN AND GROUND SPRING)
 NICKEL PLATE IAW ASTM B733, TYPE I, CLASS I, OR EQUIVALENT, .000100/.000250 THICK.
 GOLD PLATE IAW ASTM B488, TYPE III, CODE A, OR EQUIVALENT, .000050/.000150 THICK.
 WELD FLANGE: CONVERSION COATED IAW MIL-C-5541, CL 1A
 7. GROUND SPRING SHIPPED LOOSE AND UNATTACHED.
 8. ORDERING INFORMATION:
 PLEASE SPECIFY ACCORDING TO THE FOLLOWING:



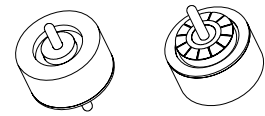
HOLE DETAIL
SCALE 1.500



SECTION A-A



DETAIL A
SCALE 8.000



SCALE 1.000

<p>PACIFIC AEROSPACE & ELECTRONICS, INC. 434 Olds Station Rd. Wenatchee, Washington 98801</p>		WWW.PACAERO.COM THIRD ANGLE PROJECTION	
		CAGE CODE: 64567	
TITLE: CONNECTOR, RF, FLANGE MOUNT, LASER WELDABLE, HIGH POWER, ALUMINUM COMPATIBLE		SHEET: 1 OF 1	
VERSION: C-1		DOCUMENT: 0-93997	
RELEASE DATE: 01-23-07		SALES DRAWING	