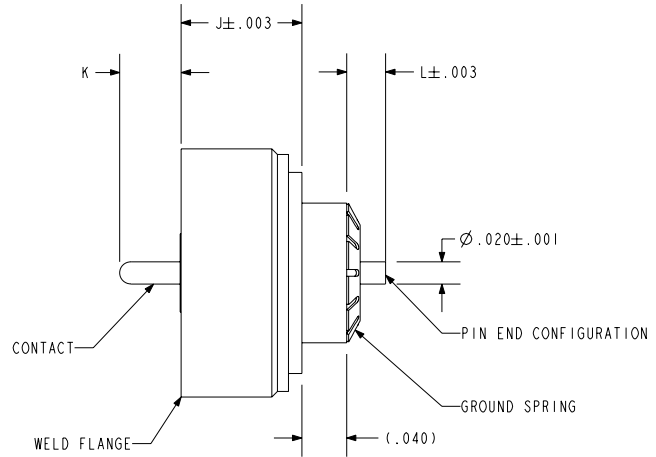
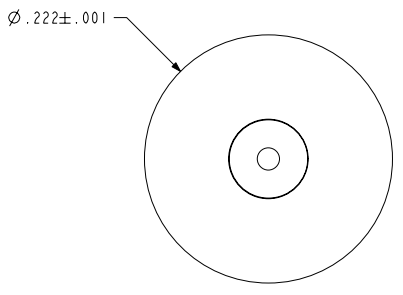
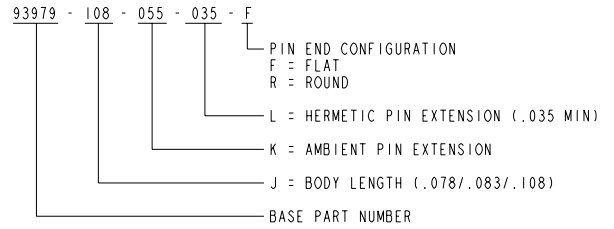
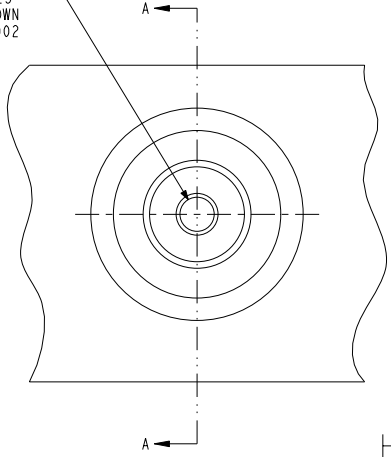


NOTES:

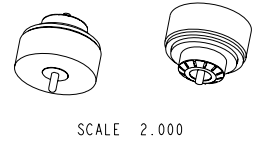
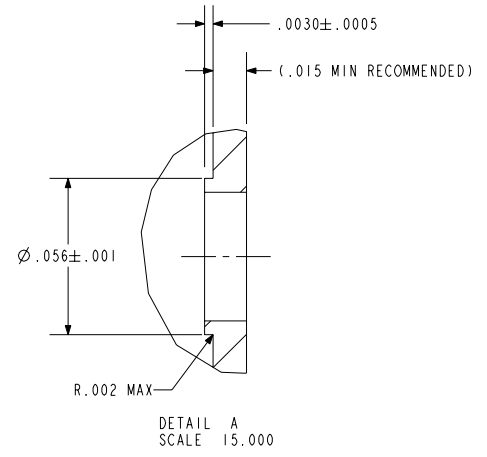
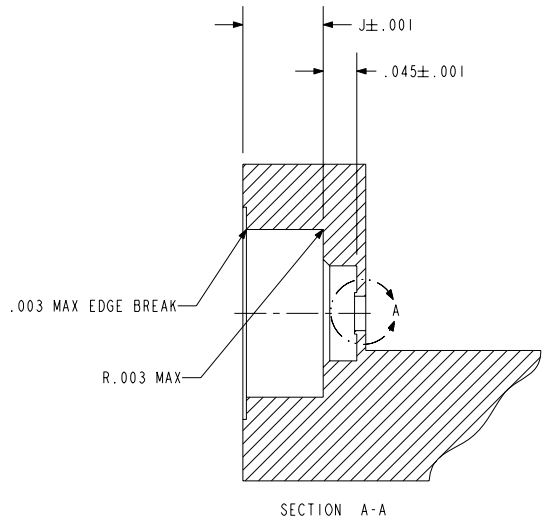
- HERMETIC LEAK RATE: LESS THAN OR EQUAL TO  $1 \times 10^{-9}$  CC/SEC He AT 1 ATM DIFFERENTIAL PRESSURE.
- NOMINAL IMPEDANCE: 50 OHMS.
- INSULATION RESISTANCE: 5000 MEGOHMS MINIMUM.
- DESIGNED TO BE LASER WELDED INTO ALUMINUM 6061 HOUSINGS.
- MATERIALS:  
WELD FLANGE: 4000 SERIES ALUMINUM.  
CONTACT: KOVAR 1AW ASTM-F15 EQUIVALENT.  
INSULATOR: 7070 CORNING GLASS OR EQUIVALENT.  
GROUND SPRING: BeCu-172/173 1AW ASTM-B194, TD04.
- FINISH:  
NICKEL PLATE 1AW ASTM B733, TYPE 1, CLASS 4, .000100/.000250 THICK.  
GOLD PLATE 1AW ASTM B488, TYPE III, CODE A, .000050/.000150 THICK.  
WELD FLANGE: CONVERSION COATED 1AW MIL-C-5541, CL 1A
- GROUND SPRING SHIPPED LOOSE AND UNATTACHED.
- ORDERING INFORMATION:  
PLEASE SPECIFY ACCORDING TO THE FOLLOWING:



- Ø .0460 ± .0010 THRU
- Ø .1275 ± .0005  $\nabla$  SHOWN
- Ø .145  $\times$  90° ± 5°
- Ø .225 ± .001  $\nabla$  SHOWN
- Ø .285  $\nabla$  .005 ± .002



HOLE DETAIL  
SCALE 4.000



**PACIFIC AEROSPACE & ELECTRONICS, INC.**  
434 Olds Station Rd. Wenatchee, Washington 98801  
WWW.PACAERO.COM

TITLE:  
CONNECTOR, RF, FLANGE MOUNT, LASER WELDABLE, HIGH PERFORMANCE, ALUMINUM COMPATIBLE

THIRD ANGLE PROJECTION

CAGE CODE: 64567

DOCUMENT: 0-93979

VERSION: .1      RELEASE DATE: 01-23-07

**SALES DRAWING**

SHEET: 1 OF 1

pro/ENGINEER