

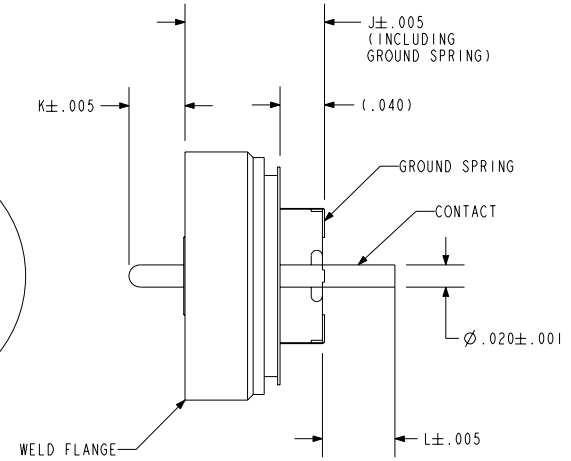
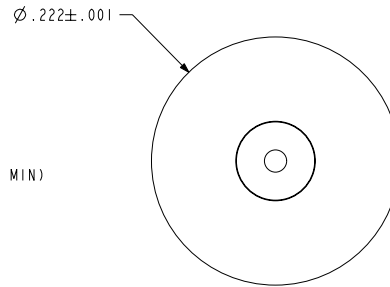
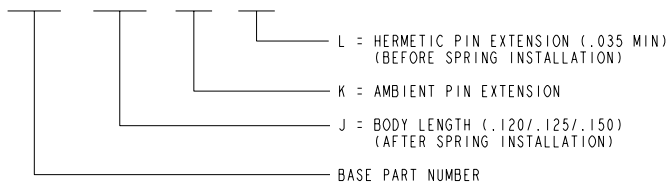
NOTES:

- 1. HERMETIC LEAK RATE: LESS THAN OR EQUAL TO 1×10^{-9} CC/SEC He AT 1 ATM DIFFERENTIAL PRESSURE.
- 2. NOMINAL IMPEDANCE: 50 OHMS.
- 3. INSULATION RESISTANCE: 5000 MEGOHMS MINIMUM.
- 4. DESIGNED TO BE LASER WELDED INTO TITANIUM HOUSINGS.
- 5. MATERIALS:
 WELD FLANGE: TITANIUM GRADE 1 OR 2.
 CONTACT: KOVAR 1AW ASTM-F15 OR MIL-I-23011.
 INSULATOR: 7070 CORNING GLASS OR EQUIVALENT.
 GROUND SPRING: S.ST. 1AW ASTM-A276 OR QQ-S-763.

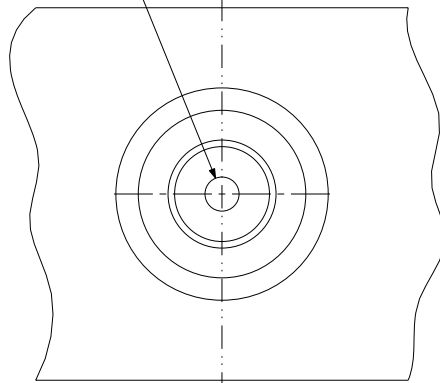
- 6. FINISH:
 NICKEL PLATE 1AW ASTM B733, TYPE 1, CLASS 4, .000100/.000250 THICK.
 GOLD PLATE 1AW ASTM B488, TYPE III, CODE A, .000050/.000150 THICK.
 WELD FLANGE: CONVERSION COATED 1AW MIL-C-5541, CL 1A

- 7. ORDERING INFORMATION:
 PLEASE SPECIFY ACCORDING TO THE FOLLOWING:

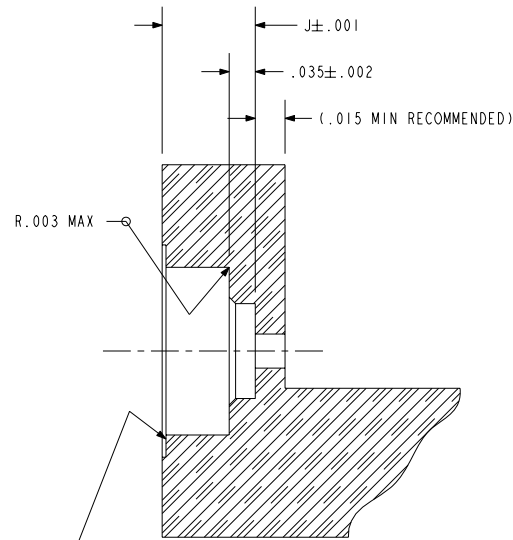
93157 - 125 - 050 - 065



- Ø.0461±.0010 THRU
- └┐ Ø.1275±.0005 ▽ SHOWN
- └┐ Ø.145 X 90° ±5°
- └┐ Ø.225±.001 ▽ SHOWN
- └┐ Ø.285 ▽ .005±.002



HOLE DETAIL (WITH AIR DIELECTRIC) SCALE 4.000



SCALE 2.000

PACIFIC AEROSPACE & ELECTRONICS, INC.
 434 Olds Station Rd. Wenatchee, Washington 98801

TITLE: TITANIUM LASER WELDABLE .020 FLANGE MOUNT RF CONNECTOR

WWW.PACAERO.COM
 THIRD ANGLE PROJECTION
 CAGE CODE: 64567

VERSION: RELEASE DATE: 09-13-06

SALES DRAWING

SHEET: 1 OF 1

DOCUMENT: 0-93157