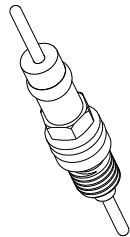
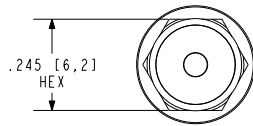


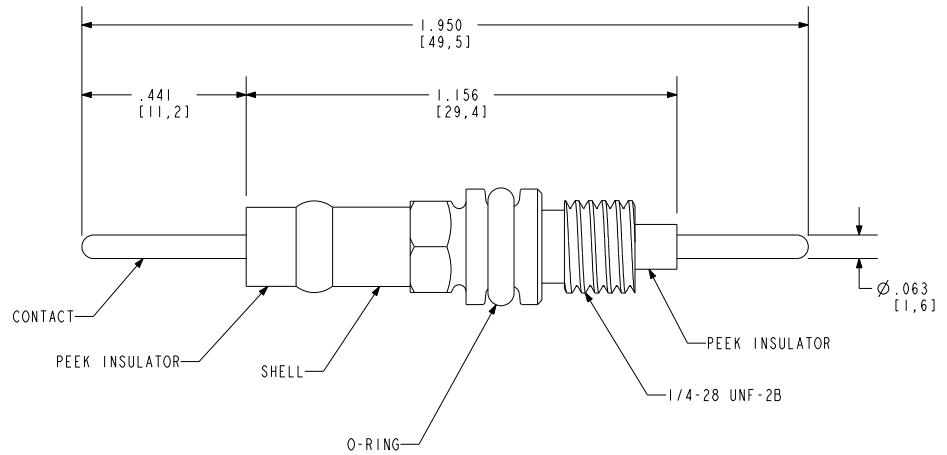
NOTES:

1. HERMETIC LEAK RATE: LESS THAN OR EQUAL TO 1×10^{-9} CC/SEC He AT 1 ATM DIFFERENTIAL PRESSURE.
2. ELECTRICAL REQUIREMENTS:
 - INSULATION RESISTANCE: GREATER THAN 5,000 MEGOHMS AT $500 \pm 10\%$ VDC AT 25°C WHEN TESTED IAW MIL-STD-1344, METHOD 3003.
 - DIELECTRIC WITHSTANDING VOLTAGE: MUST SHOW NO EVIDENCE OF BREAKDOWN OR FLASHOVER WHEN SUBJECTED TO 600 VAC RMS 60HZ IAW MIL-STD-1344, METHOD 3001. DURATION OF APPLICATION TO BE 1 SEC MIN.
3. DESIGNED FOR HIGH PRESSURE, HIGH TEMPERATURE APPLICATIONS.
4. MATERIALS:
 - SHELL: INCONEL X-750, IAW AMS 5667.
 - CONTACT: INCONEL X-750, IAW AMS 5698.
 - INSULATOR: KRYOFLEX 313 PROPRIETARY POLYCRYSTALLINE CERAMIC AND PEEK.
5. FINISH:
 - NICKEL PLATE IAW ASTM B733, TYPE I, CLASS 4, .000100/.000250 THICK.
 - GOLD PLATE IAW ASTM B488, TYPE III, CODE A, .000050/.000150 THICK.
6. ORDERING INFORMATION:
 - PLEASE SPECIFY ACCORDING TO THE FOLLOWING:

94253-1



SCALE 1.000

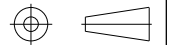


PACIFIC AEROSPACE & ELECTRONICS, INC.

434 Olds Station Rd. Wenatchee, Washington 98801

WWW.PACAERO.COM

THIRD ANGLE PROJECTION



CAGE CODE: 64567

TITLE: CONNECTOR, FEEDTHRU, COAX

VERSION: -.0

RELEASE DATE: 03-07-08

SALES DRAWING

SHEET: 1 OF 1

DOCUMENT: 0-94253