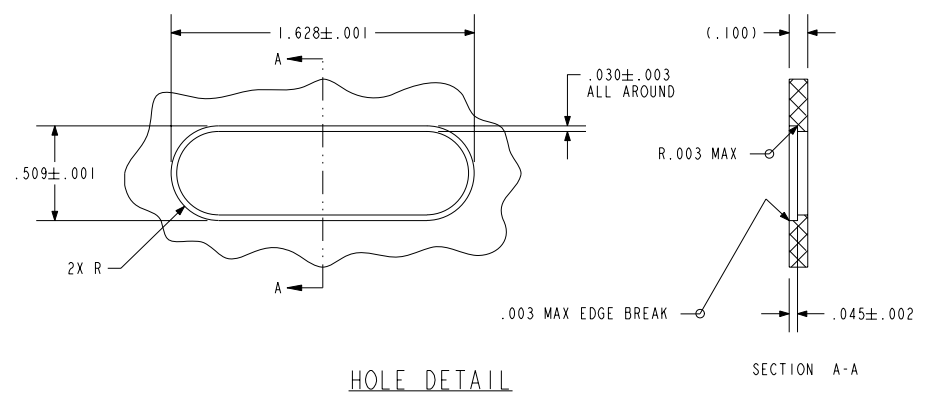
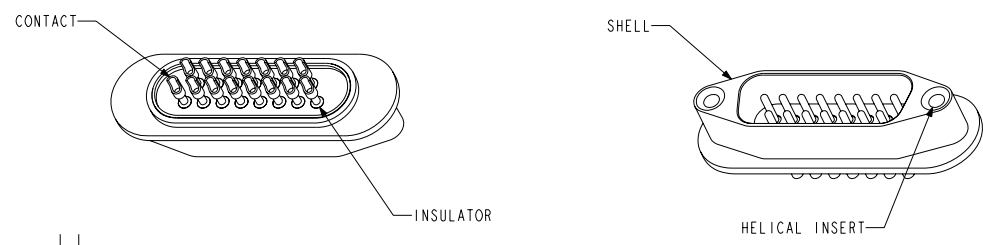
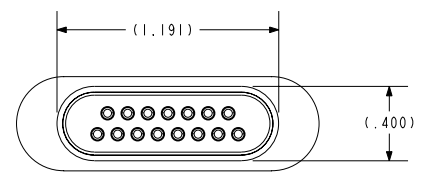
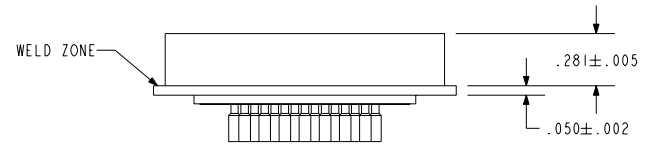
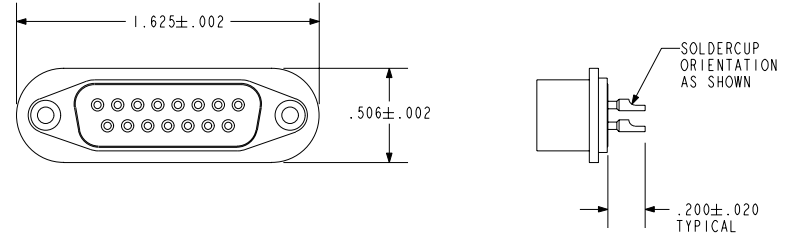


NOTES:

1. HOLES AND INTERFACE DIMENSIONS PER MIL-DTL-24308.
2. MATEABLE WITH CONNECTORS MANUFACTURED PER MIL-DTL-24308.
3. DESIGNED TO BE LASER WELDED INTO ALUMINUM HOUSINGS.
4. HERMETIC LEAK RATE: LESS THAN OR EQUAL TO 1×10^{-9} CC/SEC He AT 1 ATM DIFFERENTIAL PRESSURE.
5. ELECTRICAL REQUIREMENTS:
 - INSULATION RESISTANCE: GREATER THAN 5,000 MEGOHMS AT $500 \pm 10\%$ VDC AT 25°C WHEN TESTED IAW MIL-STD-1344, METHOD 3003.
 - DIELECTRIC WITHSTANDING VOLTAGE: MUST SHOW NO EVIDENCE OF BREAKDOWN OR FLASHOVER WHEN SUBJECTED TO 600 VAC RMS 60Hz IAW MIL-STD-1344, METHOD 3001. DURATION OF APPLICATION TO BE 1 SEC MIN.
6. MATERIALS:
 - SHELL: EXPLOSION BONDED STAINLESS STEEL TO 4XXX-SERIES ALUMINUM.
 - CONTACTS: BERYLLIUM-COPPER IAW ASTM B196/B197.
 - INSULATORS: KRYOFLEX 313 PROPRIETARY POLYCRYSTALLINE CERAMIC.
 - HELICAL INSERTS: 300-SERIES STAINLESS STEEL.
7. FINISH:
 - CONTACTS: ELECTROLYTIC NICKEL PLATE IAW QQ-N-290, .000100/.000250 THICK.
 - GOLD PLATE IAW MIL-G-45204, TYPE II, GRADE C, .000050/.000100 THICK.
 - SHELL: CHEMICAL CONVERSION COAT PER MIL-C-5541, CLASS IA.
8. ORDERING INFORMATION:
 - PLEASE SPECIFY ACCORDING TO THE FOLLOWING: 92781-1



PACIFIC AEROSPACE & ELECTRONICS, INC.
 434 Olds Station Rd. Wenatchee, Washington 98801
WWW.PACAERO.COM

TITLE: FLANGED SUB-D CONN. INTFC PER MS18272

THIRD ANGLE PROJECTION

CAGE CODE: 64567

DOCUMENT: 0-92781

SALES DRAWING

VERSION: RELEASE DATE: 09-26-05

SHEET: 1 OF 1

pro/ENGINEER