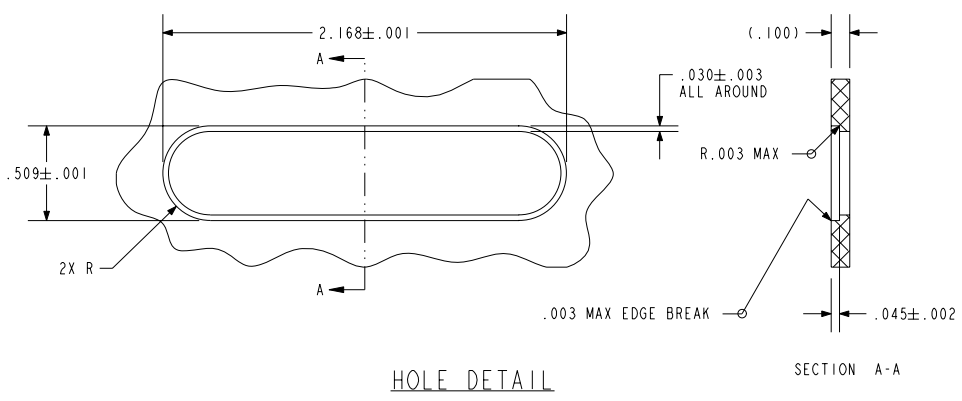
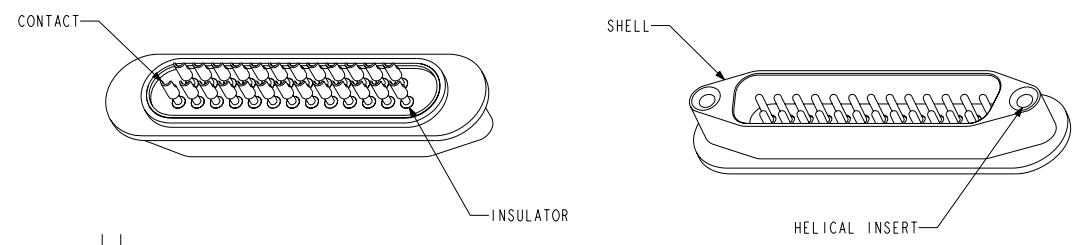
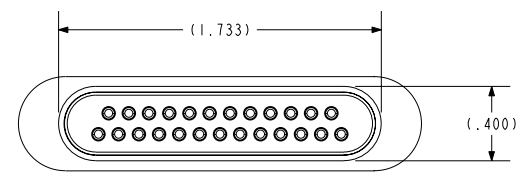
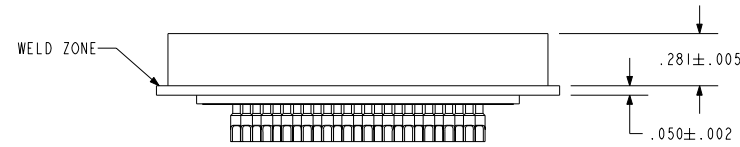
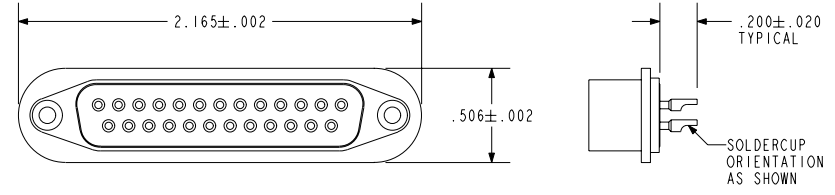


NOTES:

- HOLES AND INTERFACE DIMENSIONS PER MIL-DTL-24308.
- MATEABLE WITH CONNECTORS MANUFACTURED PER MIL-DTL-24308.
- DESIGNED TO BE LASER WELDED INTO ALUMINUM HOUSINGS.
- HERMETIC LEAK RATE: LESS THAN OR EQUAL TO 1×10^{-8} CC/SEC H_2 AT 1 ATM DIFFERENTIAL PRESSURE.
- ELECTRICAL REQUIREMENTS:
 - INSULATION RESISTANCE: GREATER THAN 5,000 MEGOHMS AT $500 \pm 10\%$ VDC AT $25^\circ C$ WHEN TESTED IAW MIL-STD-1344, METHOD 3003.
 - DIELECTRIC WITHSTANDING VOLTAGE: MUST SHOW NO EVIDENCE OF BREAKDOWN OR FLASHOVER WHEN SUBJECTED TO 600 VAC RMS 60Hz IAW MIL-STD-1344, METHOD 3001. DURATION OF APPLICATION TO BE 1 SEC MIN.
- MATERIALS:
 - SHELL: EXPLOSION BONDED STAINLESS STEEL TO 4XXX-SERIES ALUMINUM.
 - CONTACTS: BERYLLIUM-COPPER IAW ASTM B196/B197.
 - INSULATORS: KRYOFLEX 313 PROPRIETARY POLYCRYSTALLINE CERAMIC.
 - HELICAL INSERTS: 300-SERIES STAINLESS STEEL.
- FINISH:
 - CONTACTS: ELECTROLYTIC NICKEL PLATE IAW QQ-N-290, .000100/.000250 THICK.
 - GOLD PLATE IAW MIL-G-45204, TYPE II, GRADE C, .000050/.000100 THICK.
 - SHELL: CHEMICAL CONVERSION COAT PER MIL-C-5541, CLASS IA.
- ORDERING INFORMATION:
 - PLEASE SPECIFY ACCORDING TO THE FOLLOWING: 92413-1



PACIFIC AEROSPACE & ELECTRONICS, INC.
434 Olds Station Rd. Wenatchee, Washington 98801

WWW.PACAERO.COM

TITLE: CONNECTOR, SUB-D, STD-PROFILE, AL-COMPATIBLE, 25 PIN W/SOLDERCUPS	THIRD ANGLE PROJECTION CAGE CODE: 64567 DOCUMENT: 0-92413
SALES DRAWING	SHEET: 1 OF 1

pro/ENGINEER