

NOTES:

1. HOLES AND INTERFACE DIMENSIONS PER MIL-PRF-83513/2.
2. MATEABLE WITH CONNECTORS MANUFACTURED PER MIL-PRF-83513/1 AND MIL-PRF-83513/3.
3. DESIGNED TO BE SOLDERED INTO COMPATIBLE HOUSINGS.
4. HERMETIC LEAK RATE: LESS THAN OR EQUAL TO 1×10^{-9} CC/SEC He AT 1 ATM DIFFERENTIAL PRESSURE.
5. ELECTRICAL REQUIREMENTS:
 INSULATION RESISTANCE: GREATER THAN 5,000 MEGOHMS AT $500 \pm 10\%$ VDC AT 25°C WHEN TESTED IAW MIL-STD-1344, METHOD 3003.
 DIELECTRIC WITHSTANDING VOLTAGE: MUST SHOW NO EVIDENCE OF BREAKDOWN OR FLASHOVER WHEN SUBJECTED TO 600 VAC RMS 60Hz IAW MIL-STD-1344, METHOD 3001. DURATION OF APPLICATION TO BE 1 SEC MIN.
6. MATERIALS:
 SHELL: 304L STAINLESS STEEL
 CONTACTS: BERYLLIUM-COPPER IAW ASTM B196 OR ASTM B197.
 INSULATORS: KRYOFLEX 313 PROPRIETARY POLYCRYSTALLINE CERAMIC.
 INTERFACIAL SEAL: FLUOROSILICONE RUBBER IAW MIL-R-25988, CLASS I, TYPE II, GRADE 60.
7. FINISH: CONTACTS & SHELL
 ELECTROLYTIC NICKEL PLATE IAW QQ-N-290, .000100/.000250 THICK.
 GOLD PLATE IAW MIL-G-45204, TYPE II, GRADE C, .000100/.000250 THICK.
8. ORDERING INFORMATION:
 PLEASE SPECIFY ACCORDING TO THE FOLLOWING

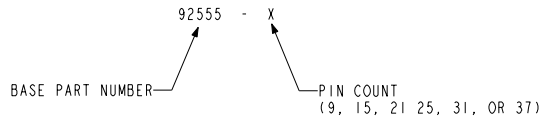
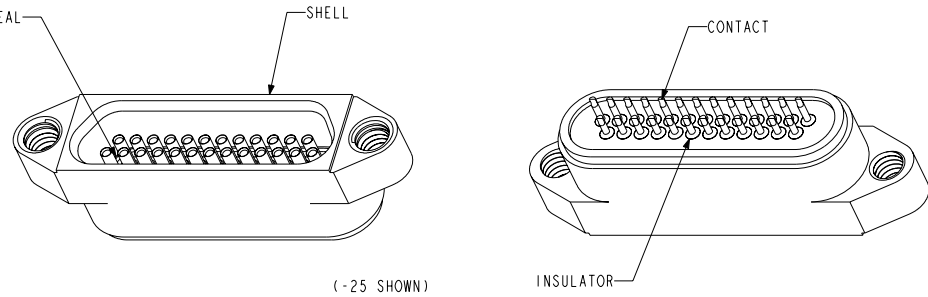
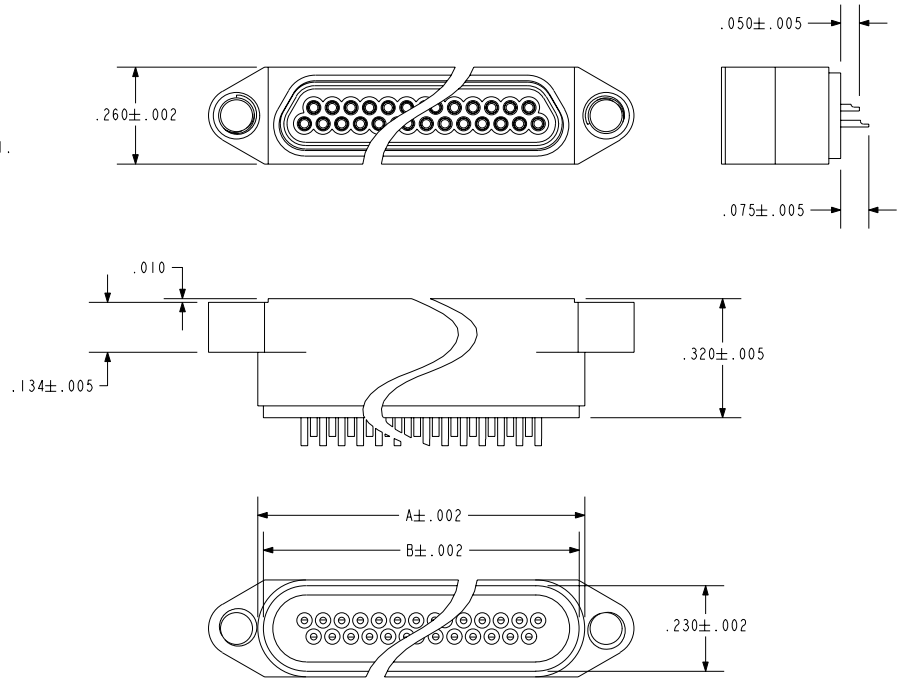
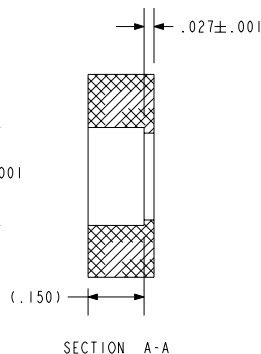
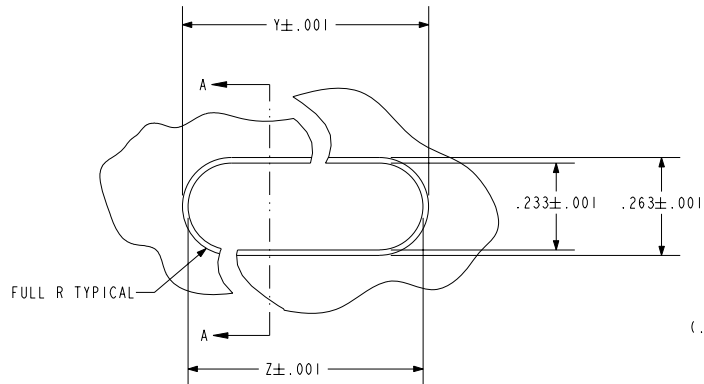


TABLE I

NUMBER OF CONTACTS	A	B	Y	Z
9	.450	.420	.453	.423
15	.600	.570	.603	.573
21	.750	.720	.753	.723
25	.850	.820	.853	.823
31	1.000	.970	1.003	.973
37	1.150	1.120	1.150	1.123



PACIFIC AEROSPACE & ELECTRONICS, INC.
 434 Olds Station Rd. Wenatchee, Washington 98801

TITLE: CONNECTOR, MICRO-D, S.ST. SOLDER-IN

WWW.PACAERO.COM
 THIRD ANGLE PROJECTION
 CAGE CODE: 64567

VERSION: RELEASE DATE: 04-30-04

SALES DRAWING

SHEET: 1 OF 1

DOCUMENT: 0-92555