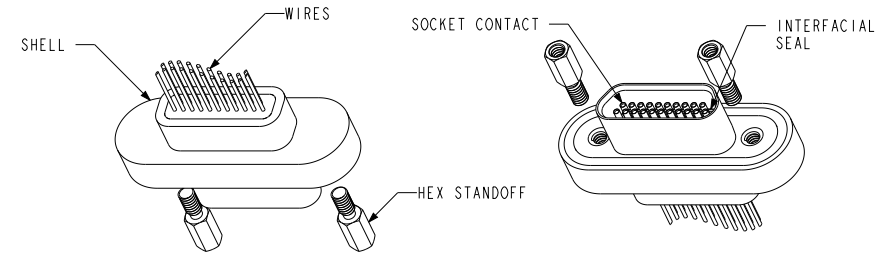
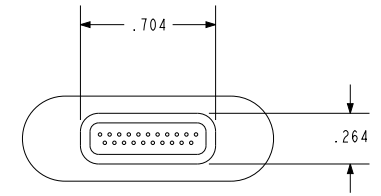
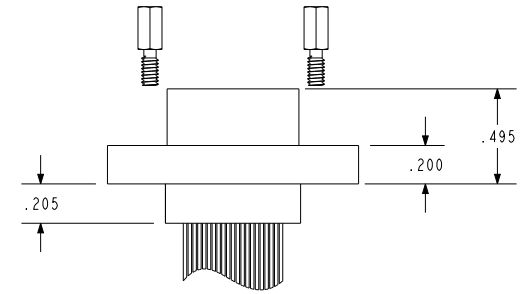
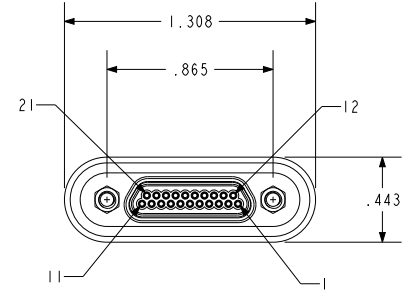
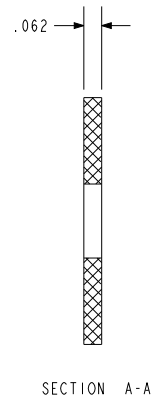
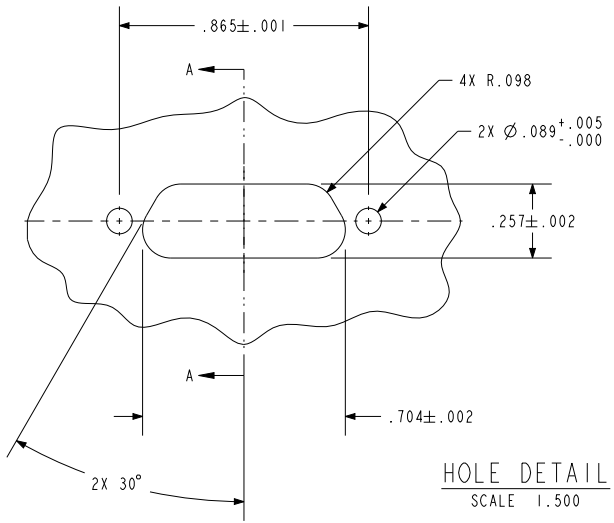


NOTES:

- HOLES AND INTERFACE DIMENSIONS PER MIL-PRF-83513/2. CONTACT NUMBERING SEQUENCE SHALL BE DEFINED AS SHOWN.
- MATEABLE WITH CONNECTORS MANUFACTURED PER MIL-PRF-83513/1 AND MIL-PRF-83513/3.
- DESIGNED TO BE O-RING SEALED AND FASTENED WITH HARDWARE.
- HERMETIC LEAK RATE: LESS THAN OR EQUAL TO 1×10^{-9} CC/SEC He AT 1 ATM DIFFERENTIAL PRESSURE.
- ELECTRICAL REQUIREMENTS:
 - INSULATION RESISTANCE: GREATER THAN 5.000 MEGOHMS AT $500 \pm 10\%$ VDC AT 25°C WHEN TESTED IAW MIL-STD-1344, METHOD 3003.
 - DIELECTRIC WITHSTANDING VOLTAGE: MUST SHOW NO EVIDENCE OF BREAKDOWN OR FLASHOVER WHEN SUBJECTED TO 600 VAC RMS 60Hz IAW MIL-STD-1344, METHOD 3001. DURATION OF APPLICATION TO BE 1 SEC MIN.
- MATERIALS:
 - SHELL: 304L STAINLESS STEEL.
 - CONTACTS: BERYLLIUM-COPPER IAW ASTM B196 OR ASTM B197, SOLDER DIPPED WITH Sn63.
 - INSULATORS: KRYOFLEX 313 PROPRIETARY POLYCRYSTALLINE CERAMIC.
 - INTERFACIAL SEAL: FLUOROSILICONE RUBBER IAW MIL-R-25988, CLASS I, TYPE II, GRADE 60.
 - MALE-FEMALE HEX STANDOFFS: 300-SERIES STAINLESS STEEL (SHIPPED LOOSE).
 - WIRES: 26 AWG STRANDED/INSULATED PER M22759/33.
- FINISHES:
 - CONTACTS: ELECTROLYTIC NICKEL PLATE IAW QQ-N-290, .000100/.000250 THICK.
 - GOLD PLATE IAW MIL-G-45204, TYPE II, GRADE C, .000050/.000150 THICK.
- ORDERING INFORMATION:
 - PLEASE SPECIFY ACCORDING TO THE FOLLOWING

93559-21
 BASE PART NUMBER TO ORDER



WIRING CONFIGURATION	
PIN	COLOR
1	BLACK
2	BROWN
3	RED
4	ORANGE
5	YELLOW
6	GREEN
7	BLUE
8	VIOLET
9	GRAY
10	WHITE
11	WHITE, BLACK
12	WHITE, BROWN
13	WHITE, RED
14	WHITE, ORANGE
15	WHITE, YELLOW
16	WHITE, GREEN
17	WHITE, BLUE
18	WHITE, VIOLET
19	WHITE, GRAY
20	WHITE, BLACK, BROWN
21	WHITE, BLACK, RED

PACIFIC AEROSPACE & ELECTRONICS, INC.
 434 Olds Station Rd. Wenatchee, Washington 98801
WWW.PACAERO.COM

TITLE: **CONNECTOR, MICRO-D, O-RING PROFILE, WIRED**

VERSION: E.0 RELEASE DATE: 01-31-08

SHEET: 1 OF 1 DOCUMENT: 0-93559

THIRD ANGLE PROJECTION

CAGE CODE: 64567

pro/ENGINEER