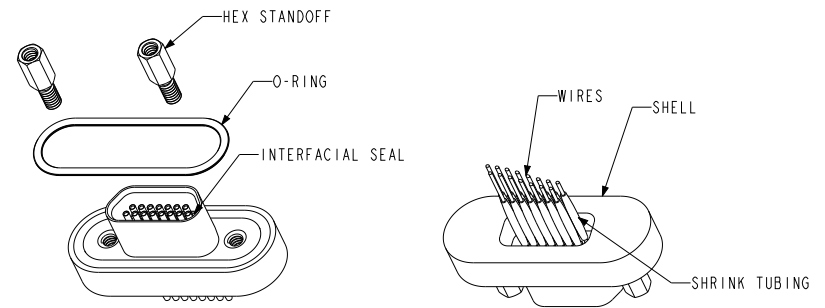
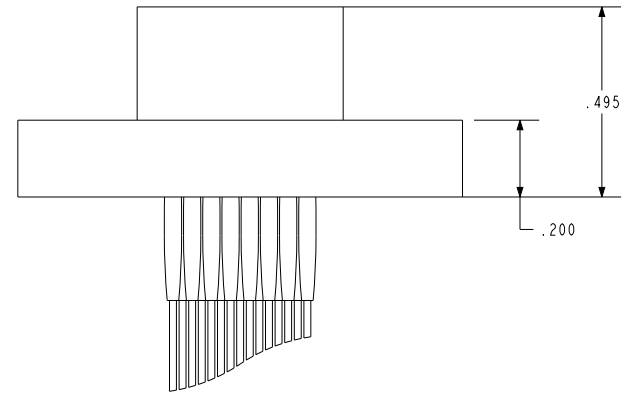
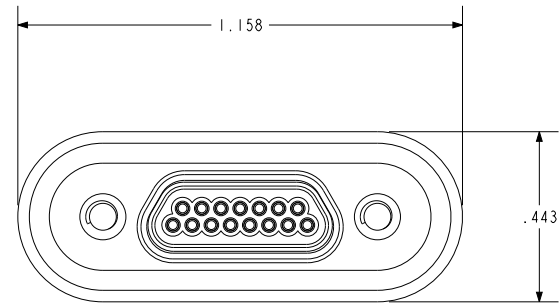
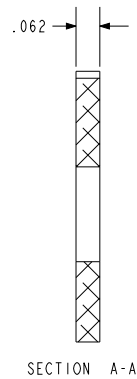
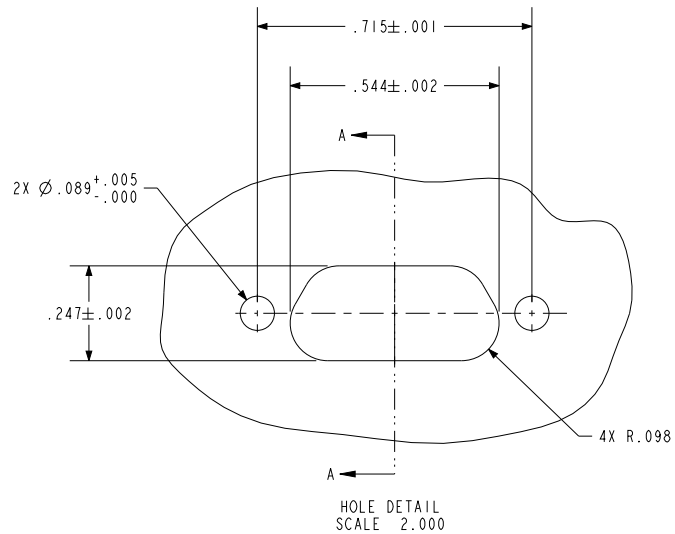


NOTES:

1. HOLES AND INTERFACE DIMENSIONS PER MIL-PRF-83513/2.
2. MATEABLE WITH CONNECTORS MANUFACTURED PER MIL-PRF-83513/1 AND MIL-PRF-83513/3.
3. DESIGNED TO BE O-RING SEALED AND FASTENED WITH HARDWARE.
4. HERMETIC LEAK RATE: LESS THAN OR EQUAL TO  $1 \times 10^{-9}$  CC/SEC He AT 1 ATM DIFFERENTIAL PRESSURE.
5. ELECTRICAL REQUIREMENTS:
  - INSULATION RESISTANCE: GREATER THAN 5.000 MEGOHMS AT  $500 \pm 10\%$  VDC AT 25°C WHEN TESTED IAW MIL-STD-1344, METHOD 3003.
  - DIELECTRIC WITHSTANDING VOLTAGE: MUST SHOW NO EVIDENCE OF BREAKDOWN OR FLASHOVER WHEN SUBJECTED TO 600 VAC RMS 60Hz IAW MIL-STD-1344, METHOD 3001. DURATION OF APPLICATION TO BE 1 SEC MIN.
6. MATERIALS:
  - SHELL: 304L STAINLESS STEEL.
  - CONTACTS: BERYLLIUM-COPPER IAW ASTM B196 OR ASTM B197, SOLDER DIPPED WITH Sn63.
  - INSULATORS: KRYOFLEX 313 PROPRIETARY POLYCRYSTALLINE CERAMIC.
  - INTERFACIAL SEAL: FLUOROSILICONE RUBBER IAW MIL-R-25988, CLASS I, TYPE II, GRADE 60.
  - MALE-FEMALE HEX STANDOFFS: 300-SERIES STAINLESS STEEL (SHIPPED LOOSE).
  - WIRES: 26 AWG STRANDED/INSULATED PER M22759/33.
  - SHRINK TUBING: FLEXIBLE POLYOLEFIN PER M23053/5
  - O-RING: SILICONE
7. FINISHES:
  - CONTACTS: ELECTROLYTIC NICKEL PLATE IAW QQ-N-290, .000050/.000150 THICK.
  - GOLD PLATE IAW MIL-G-45204, TYPE II, GRADE C, .000050/.000100 THICK.
8. ORDERING INFORMATION:
  - PLEASE SPECIFY ACCORDING TO THE FOLLOWING

92909 - 1  
 BASE PART NUMBER TO ORDER



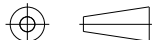
SCALE 1.000

**PACIFIC AEROSPACE & ELECTRONICS, INC.**  
 434 Olds Station Rd. Wenatchee, Washington 98801

WWW.PACAERO.COM

TITLE:  
 CONNECTOR, MICRO-D, 15 PIN, O-RING PROFILE, WIRED

THIRD ANGLE PROJECTION



CAGE CODE: 64567

VERSION B.0

RELEASE DATE: 06-23-08

SALES DRAWING

SHEET: 1 OF 1

DOCUMENT: 0-92909