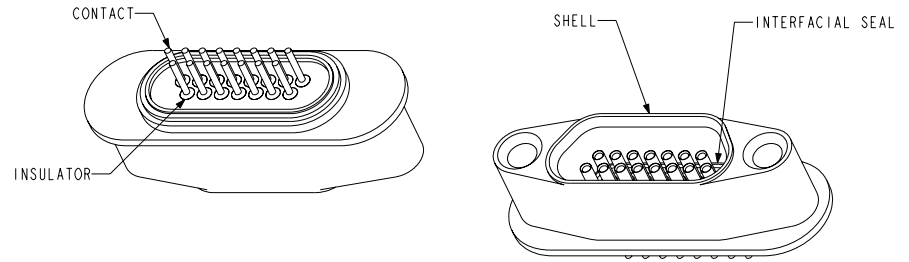
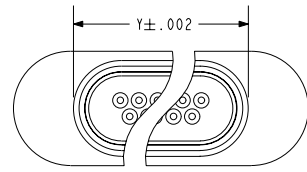
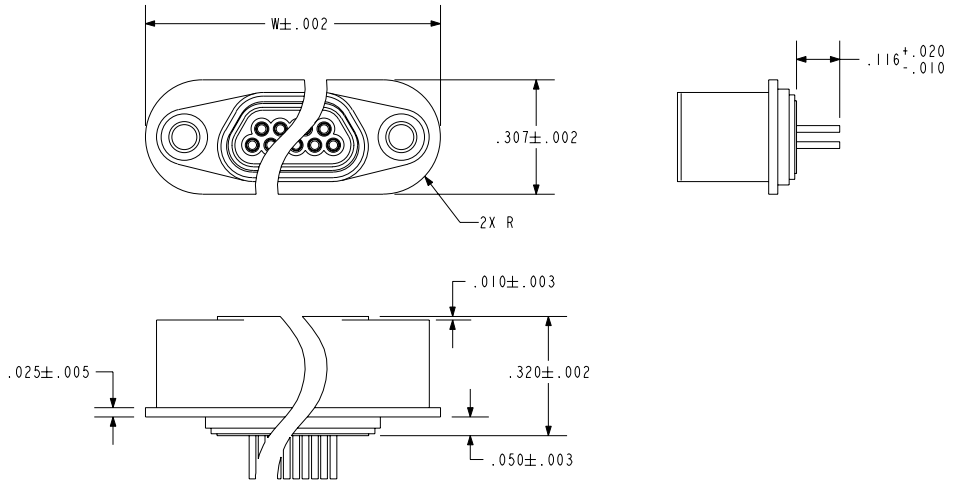
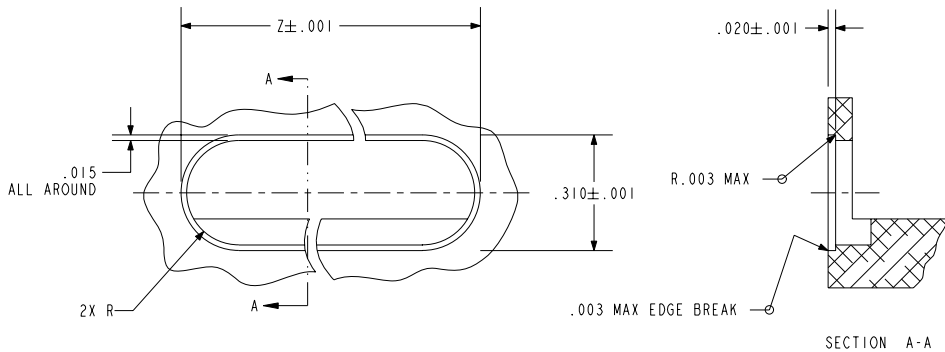


NOTES:

- HOLES AND INTERFACE DIMENSIONS PER MIL-PRF-83513/2.
- MATEABLE WITH CONNECTORS MANUFACTURED PER MIL-PRF-83513/1 AND MIL-PRF-83513/3.
- DESIGNED TO BE LASER WELDED TO A 304L STAINLESS STEEL HOUSING.
- HERMETIC LEAK RATE: LESS THAN OR EQUAL TO 1×10^{-9} CC/SEC He AT 1 ATM DIFFERENTIAL PRESSURE.
- ELECTRICAL REQUIREMENTS:
 - INSULATION RESISTANCE: GREATER THAN 5,000 MEGOHMS AT $500 \pm 10\%$ VDC AT 25°C WHEN TESTED IAW MIL-STD-1344, METHOD 3003.
 - DIELECTRIC WITHSTANDING VOLTAGE: MUST SHOW NO EVIDENCE OF BREAKDOWN OR FLASHOVER WHEN SUBJECTED TO 500 VAC RMS 60Hz IAW MIL-STD-1344, METHOD 3001. DURATION OF APPLICATION TO BE 1 SEC MIN.
- MATERIALS:
 - SHELL: STAINLESS STEEL 304L IAW ASTM A276
 - CONTACTS: BERYLLIUM-COPPER IAW ASTM B196 OR ASTM B197.
 - INSULATORS: KRYOFLEX 313 PROPRIETARY POLYCRYSTALLINE CERAMIC.
 - INTERFACIAL SEAL: FLUOROSILICONE RUBBER IAW MIL-R-25988, CLASS I, TYPE II, GRADE 60.
- FINISH:
 - CONTACTS: ELECTROLYTIC NICKEL PLATE IAW QQ-N-290, .000100/.000250 THICK.
 - GOLD PLATE IAW ASTM B488, TYPE III, CODE A, .000050 MINIMUM THICK.
- ORDERING INFORMATION:
 - PLEASE SPECIFY ACCORDING TO THE FOLLOWING

BASE PART NUMBER TO ORDER \swarrow 93173 - X \nwarrow PIN COUNT
(9, 15, 21, 25, 31, 37)

TABLE I			
NUMBER OF CONTACTS	W	Y	Z
9	.775	.452	.778
15	.925	.602	.928
21	1.075	.752	1.078
25	1.175	.852	1.178
31	1.325	1.002	1.328
37	1.475	1.152	1.478



PACIFIC AEROSPACE & ELECTRONICS, INC.
434 Olds Station Rd. Wenatchee, Washington 98801
WWW.PACAERO.COM

TITLE: CONNECTOR, MICRO-D, STD PROFILE, S.S.T. COMPATIBLE

THIRD ANGLE PROJECTION

CAGE CODE: 64567

DOCUMENT: 0-93173

SALES DRAWING

VERSION: RELEASE DATE: 06-29-06

SHEET: 1 OF 1

pro/ENGINEER