

NOTES:

1. HOLES AND INTERFACE DIMENSIONS PER MIL-PRF-83513/2.
2. MATEABLE WITH CONNECTORS MANUFACTURED PER MIL-PRF-83513/1 AND MIL-PRF-83513/3.
3. DESIGNED TO BE LASER WELDED INTO COMPATIBLE STAINLESS STEEL HOUSING.
4. HERMETIC LEAK RATE: LESS THAN OR EQUAL TO 1×10^{-9} CC/SEC He AT 1 ATM DIFFERENTIAL PRESSURE.
5. ELECTRICAL REQUIREMENTS:
 - INSULATION RESISTANCE: GREATER THAN 5,000 MEGOHMS AT $500 \pm 10\%$ VDC AT 25°C WHEN TESTED IAW MIL-STD-1344, METHOD 3003.
 - DIELECTRIC WITHSTANDING VOLTAGE: MUST SHOW NO EVIDENCE OF BREAKDOWN OR FLASHOVER WHEN SUBJECTED TO 600 VAC RMS 60Hz IAW MIL-STD-1344, METHOD 3001. DURATION OF APPLICATION TO BE 1 SEC MIN.
6. MATERIALS:
 - SHELL: 304L STAINLESS STEEL
 - CONTACTS: BERYLLIUM-COPPER IAW ASTM B196 OR ASTM B197.
 - INSULATORS: KRYOFLEX 313 PROPRIETARY POLYCRYSTALLINE CERAMIC.
 - INTERFACIAL SEAL: FLUOROSILICONE RUBBER IAW MIL-R-25988, CLASS I, TYPE II, GRADE 60.
7. FINISH:
 - CONTACTS: ELECTROLYTIC NICKEL PLATE IAW QQ-N-290, .00075/.000150 THICK.
 - GOLD PLATE IAW MIL-G-45204, TYPE III, GRADE A, .000100/.000150 THICK.
8. ORDERING INFORMATION:
 - PLEASE SPECIFY ACCORDING TO THE FOLLOWING:

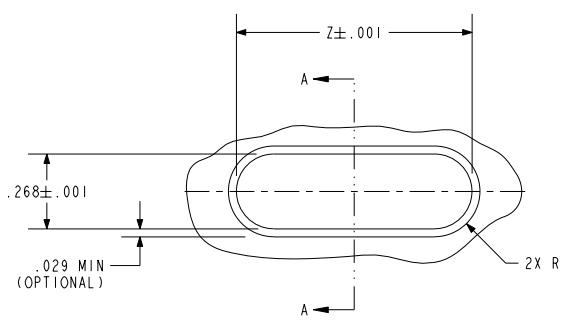
93045 - X - NS

NS: NO SEAL (INTERFACIAL SEAL NOT SUPPLIED)

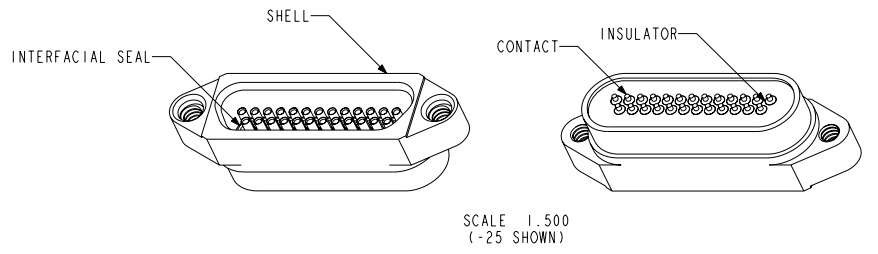
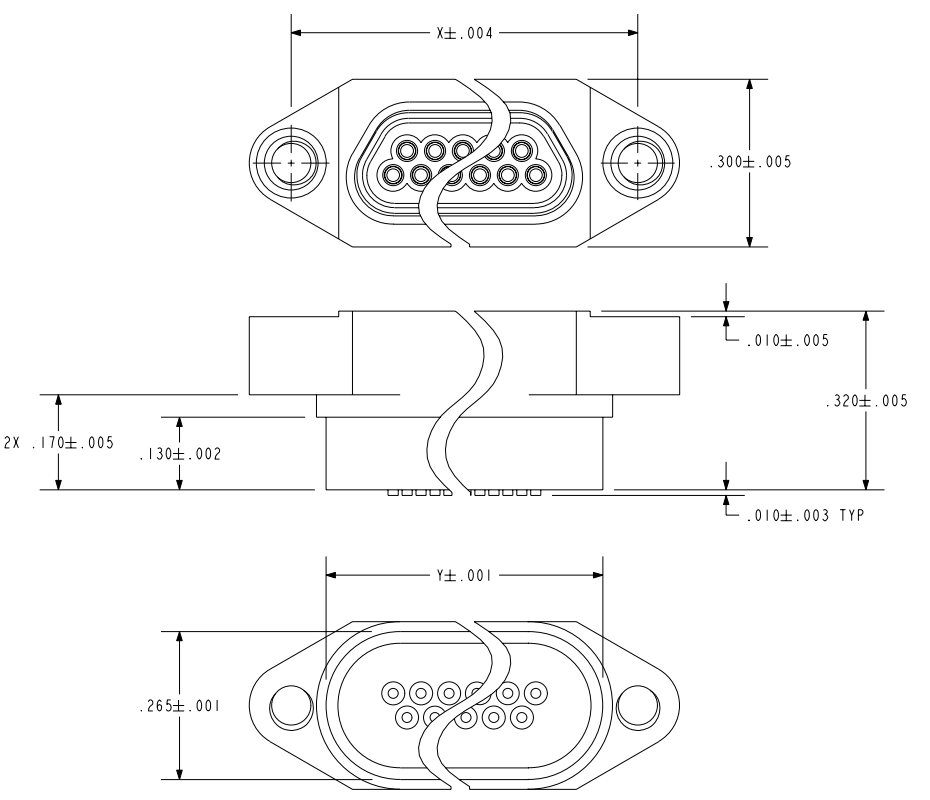
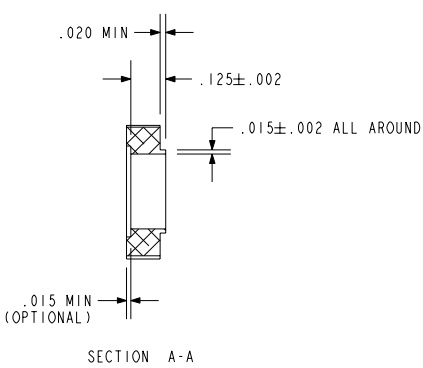
PIN COUNT: 9, 15, 21, 25, 31, OR 37

BASE PART NUMBER

TABLE I			
NUMBER OF CONTACTS	X	Y	Z
9	.565	.440	.443
15	.715	.590	.593
21	.865	.740	.743
25	.965	.840	.843
31	1.115	.990	.993
37	1.265	1.140	1.143



HOLE DETAIL
SCALE 1.500



PACIFIC AEROSPACE & ELECTRONICS, INC.
434 Olds Station Rd. Wenatchee, Washington 98801
WWW.PACAERO.COM

TITLE: CONNECTOR, MICRO-D, CUSTOM

THIRD ANGLE PROJECTION

CAGE CODE: 64567

DOCUMENT: 0-93045

VERSION: G.1 RELEASE DATE: 02-27-07

SALES DRAWING SHEET: 1 OF 1

ENG-014 pro/ENGINEER