

NOTES:

1. HOLE DIMENSIONS PER PAE-40458.
2. MATEABLE WITH CONNECTORS MANUFACTURED BY MIN-E-CON PER PAE-80633. (MIN-E-CON, 17312 EASTMAN, IRVINE, CA. 92614, TEL: (949) 250-0087)
3. DESIGNED TO BE LASER WELDED TO AN ALUMINUM, STAINLESS STEEL OR TITANIUM HOUSING.
4. HERMETIC LEAK RATE: LESS THAN OR EQUAL TO 1×10^{-9} CC/SEC He AT 1 ATM DIFFERENTIAL PRESSURE.
5. ELECTRICAL REQUIREMENTS:
 - INSULATION RESISTANCE: GREATER THAN 5,000 MEGOHMS AT $500 \pm 10\%$ VDC AT $25^\circ C$ WHEN TESTED IAW MIL-STD-1344, METHOD 3003.
 - DIELECTRIC WITHSTANDING VOLTAGE: MUST SHOW NO EVIDENCE OF BREAKDOWN OR FLASHOVER WHEN SUBJECTED TO 600 VAC RMS 60Hz IAW MIL-STD-1344, METHOD 3001. DURATION OF APPLICATION TO BE 1 SEC MIN.
6. MATERIALS:
 - SHELL: EXPLOSION BONDED STAINLESS STEEL TO 4XXX-SERIES ALUMINUM OR COMPATIBLE TITANIUM.
 - CONTACTS: 303 STAINLESS STEEL IAW SAE-AMS 5640R, TYPE I.
 - INSULATORS: KRYOFLEX 313 PROPRIETARY POLYCRYSTALLINE CERAMIC.
 - INTERFACIAL SEAL: FLUOROSILICONE RUBBER IAW MIL-R-25988, CLASS I, TYPE II, GRADE 60.
 - THREADED BOSSES: 300-SERIES STAINLESS STEEL.
 - INSERT: 300-SERIES STAINLESS STEEL.
 - WIRE: COLOR CODED 30 AWG STRANDED IAW M22759/33-30.
 - SLEEVE: POLYOLEFIN
7. FINISH:
 - ELECTROLYTIC NICKEL PLATE IAW QQ-N-290, .000100/.000250 THICK.
 - GOLD PLATE IAW ASTM-B488, TYPE I, GRADE A, .000050/.000150 THICK.
8. ORDERING INFORMATION: PLEASE SPECIFY ACCORDING TO THE FOLLOWING

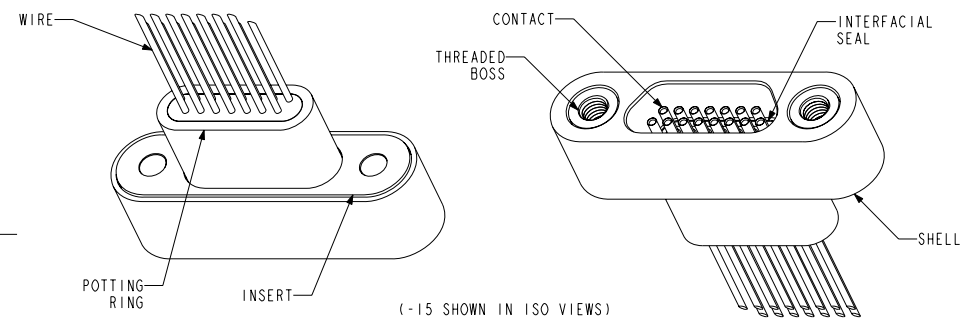
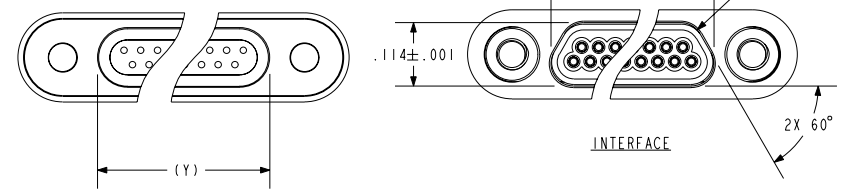
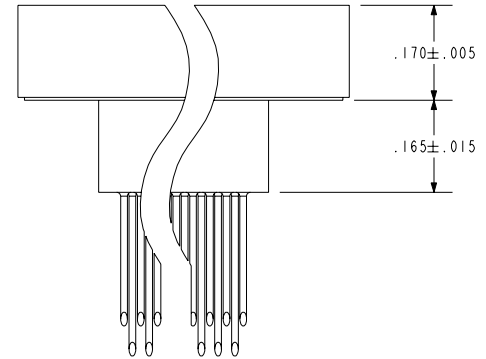
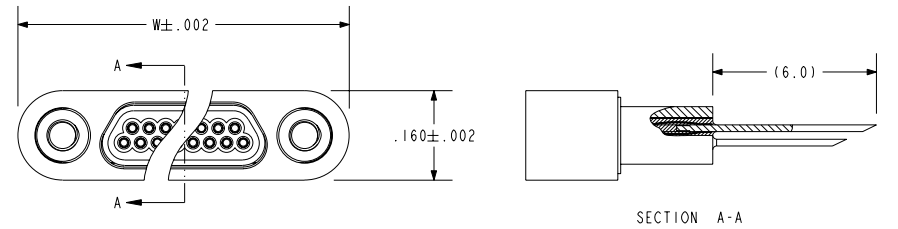
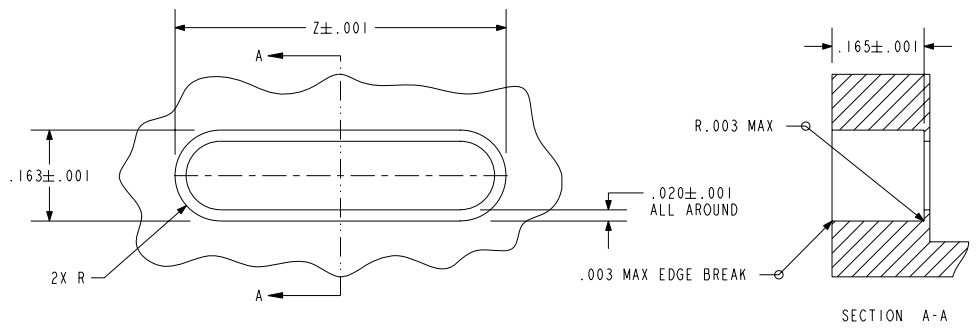
BASE PART NUMBER TO ORDER: 93265 - 9 - S - I

PIN COUNT: (9, 15, 21, 25, 31, OR 37)

WIRING: 1 - COLOR CONFIGURATION 1
2 - COLOR CONFIGURATION 2
(CONTACT SALES REPRESENTATIVE)

MATERIAL: A = ALUMINUM
S = STAINLESS STEEL
T = TITANIUM

NUMBER OF CONTACTS	A	W	Y	Z
9	.201	.500	.211	.503
15	.291	.590	.301	.593
21	.381	.680	.391	.683
25	.441	.740	.451	.743
31	.531	.830	.541	.833
37	.621	.920	.651	.923
51	CONTACT SALES REPRESENTATIVE			
100	CONTACT SALES REPRESENTATIVE			



PACIFIC AEROSPACE & ELECTRONICS, INC.
434 Olds Station Rd. Wenatchee, Washington 98801
WWW.PACAERO.COM

TITLE: CONNECTOR, JR-D, HERMETIC, WIRED

THIRD ANGLE PROJECTION

CAGE CODE: 64567

RELEASE DATE: 01-04-06

THE INFORMATION HEREIN CONTAINS PROPRIETARY RIGHTS OF PACIFIC AEROSPACE & ELECTRONICS AND SHALL NOT BE USED, REPRODUCED, OR DISCLOSED TO THIRD PARTIES FOR ANY PURPOSE EXCEPT AS SPECIFICALLY AUTHORIZED IN WRITING BY PACIFIC AEROSPACE & ELECTRONICS

SHEET: 1 OF 1

DOCUMENT: 0-93265

prg/ENGINEER