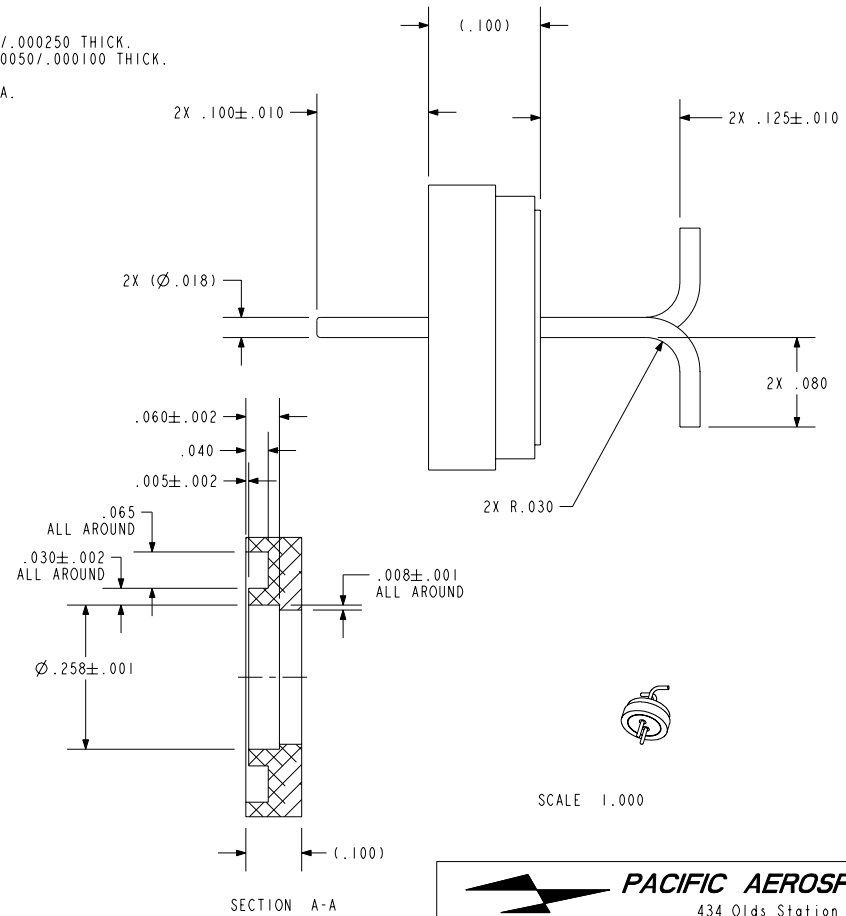
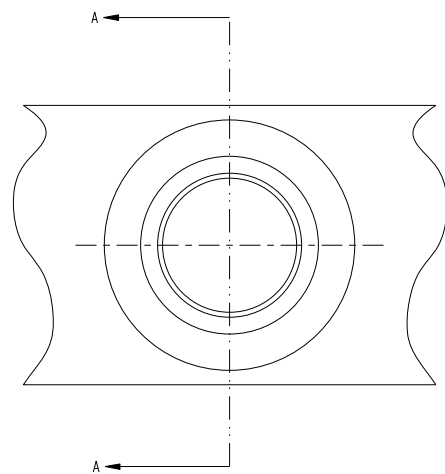
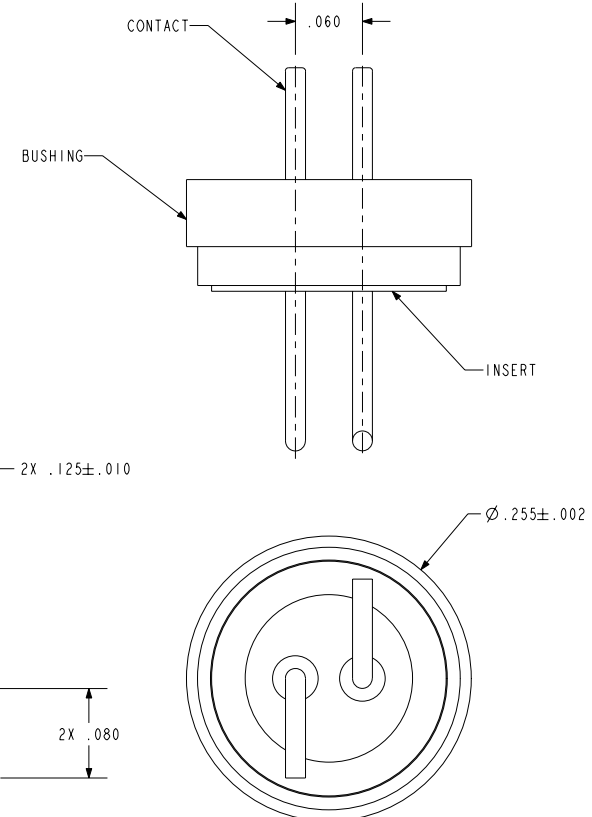


NOTES:

1. DESIGNED TO BE LASER WELDED TO AN ALUMINUM HOUSING.
2. HERMETIC LEAK RATE: LESS THAN OR EQUAL TO 1×10^{-9} CC/SEC He AT 1 ATM DIFFERENTIAL PRESSURE.
3. ELECTRICAL REQUIREMENTS:
 - INSULATION RESISTANCE: GREATER THAN 5,000 MEGOHMS AT $500 \pm 10\%$ VDC AT 25°C WHEN TESTED IAW MIL-STD-1344, METHOD 3003.
 - DIELECTRIC WITHSTANDING VOLTAGE: MUST SHOW NO EVIDENCE OF BREAKDOWN OR FLASHOVER WHEN SUBJECTED TO 600 VAC RMS 60Hz IAW MIL-STD-1344, METHOD 3001. DURATION OF APPLICATION TO BE 1 SEC MIN.
4. MATERIALS:
 - INSERT: 304L STAINLESS STEEL.
 - CONTACTS: CHROMIUM-COPPER IAW MIL-C--19311.
 - INSULATORS: KRYOFLEX 313 PROPRIETARY POLYCRYSTALLINE CERAMIC.
 - BUSHING: EXPLOSION BONDED STAINLESS STEEL TO 4XXX-SERIES ALUMINUM.
5. FINISHES:
 - CONTACTS: ELECTROLYTIC NICKEL PLATE IAW QQ-N-290, .000100/.000250 THICK.
 - GOLD PLATE IAW ASTM-B488, TYPE III, CODE A, .000050/.000100 THICK.
 - BUSHING: CHEMICAL CONVERSION COAT IAW MIL-C-5541, CLASS IA.
6. ORDERING INFORMATION:
 - PLEASE SPECIFY ACCORDING TO THE FOLLOWING
 - 94018 - 1



SCALE 1.000

PACIFIC AEROSPACE & ELECTRONICS, INC.
 434 Olds Station Rd. Wenatchee, Washington 98801
 WWW.PACAERO.COM

TITLE: CONNECTOR, FEEDTHRU, HIGH POWER, 2 PIN

THIRD ANGLE PROJECTION

CAGE CODE: 64567

DOCUMENT: 0-94018

VERSION: .1 RELEASE DATE: 10-26-06

SALES DRAWING SHEET: 1 OF 1

pro/ENGINEER